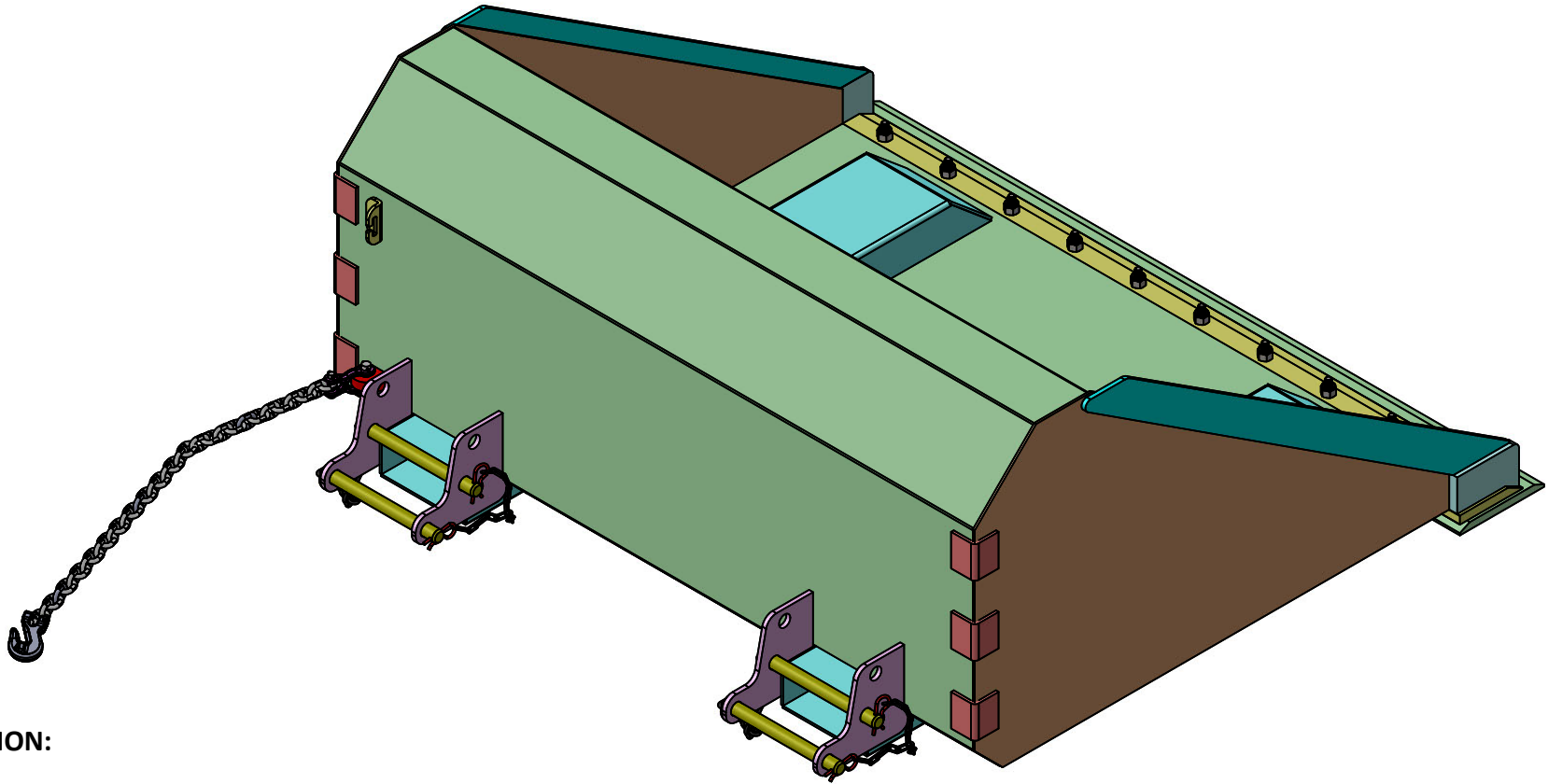


1400B




INSTALLATION:

INSERT FORKS FULLY INTO FORK POCKETS AND SECURE BUCKET TO FORKS BY INSTALLING THE LOCKING PINS BEHIND HEEL OF EACH FORK. SECURE LOCKING PINS WITH HAIR PINS. IN ADDITION, WRAP SAFETY CHAIN AROUND A STRONG PART OF CARRIAGE TAKING UP THE SLACK, SECURE BY HOOKING LOCKING GRAB HOOK ONTO CHAIN.

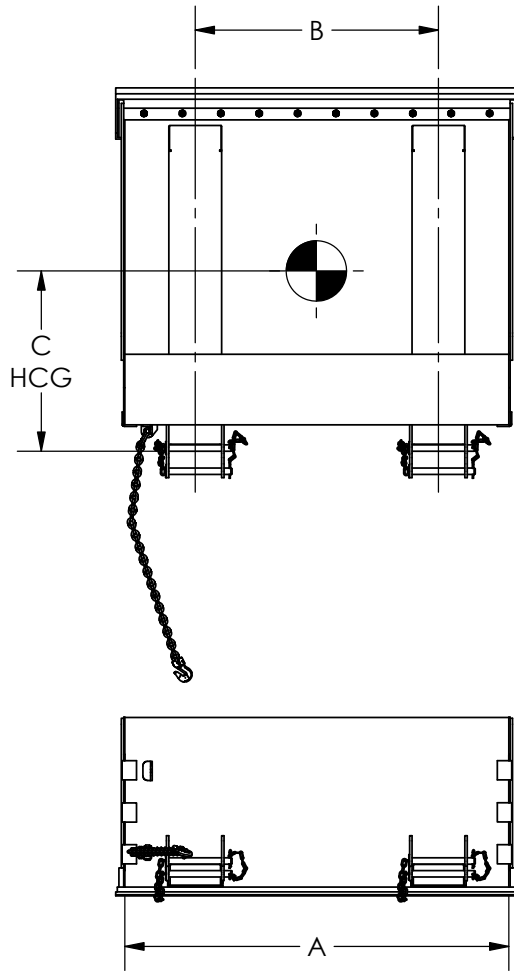
PROPRIETARY AND CONFIDENTIAL
 THE INFORMATION CONTAINED IN THIS DRAWING IS THE SOLE PROPERTY OF STAR INDUSTRIES. ANY REPRODUCTION IN PART OR AS A WHOLE WITHOUT THE WRITTEN PERMISSION OF STAR INDUSTRIES IS PROHIBITED.

UNLESS OTHERWISE SPECIFIED:	NAME	DATE
DIMENSIONS ARE IN INCHES TOLERANCES: $\pm 1/16$ FRACTIONAL \pm ANGULAR: MACH \pm BEND \pm TWO PLACE DECIMAL \pm THREE PLACE DECIMAL \pm	DRAWN HI-TECH	5/6/2019
INTERPRET GEOMETRIC TOLERANCING PER:	CHECKED	
MATERIAL REFER PARTS DETAILS	ENG APPR.	
FINISH	MFG APPR.	
DO NOT SCALE DRAWING	Q.A.	
	COMMENTS:	

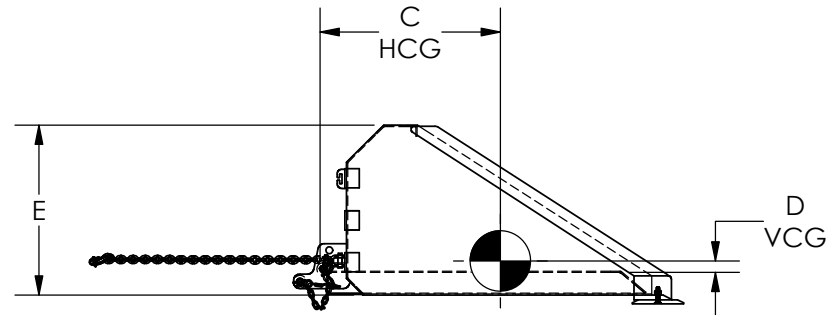
 STAR INDUSTRIES		
TITLE: 1400B		
SIZE A	DWG. NO. 1400B-DLR	REV 0
SCALE: 1:12	WEIGHT: 641.69 LBS	SHEET 1 OF 2

- 1) CAUTION: DO NOT OVERLOAD TELEHANDLER.
- 2) SHOWN WITH OPTIONAL BOLT ON BLADE.

1400B



FORK POCKETS ACCEPT FORKS UP TO 2.5" THICK AND UP TO 7" WIDE
REQUIRES 48" FORKS



MODEL NUMBER	A	B	C	D	E	VOLUME (CUYD)	LOAD CAPACITY (LBS.)	EMPTY WEIGHT (LBS.)
1400B	60"	38"	28 1/4"	1 13/16"	26 9/16"	1.0	3500	641.69

SIZE A	DWG. NO. 1400B-DLR	REV 0
SCALE: 1:30	WEIGHT: 641.69 LBS	SHEET 2 OF 2