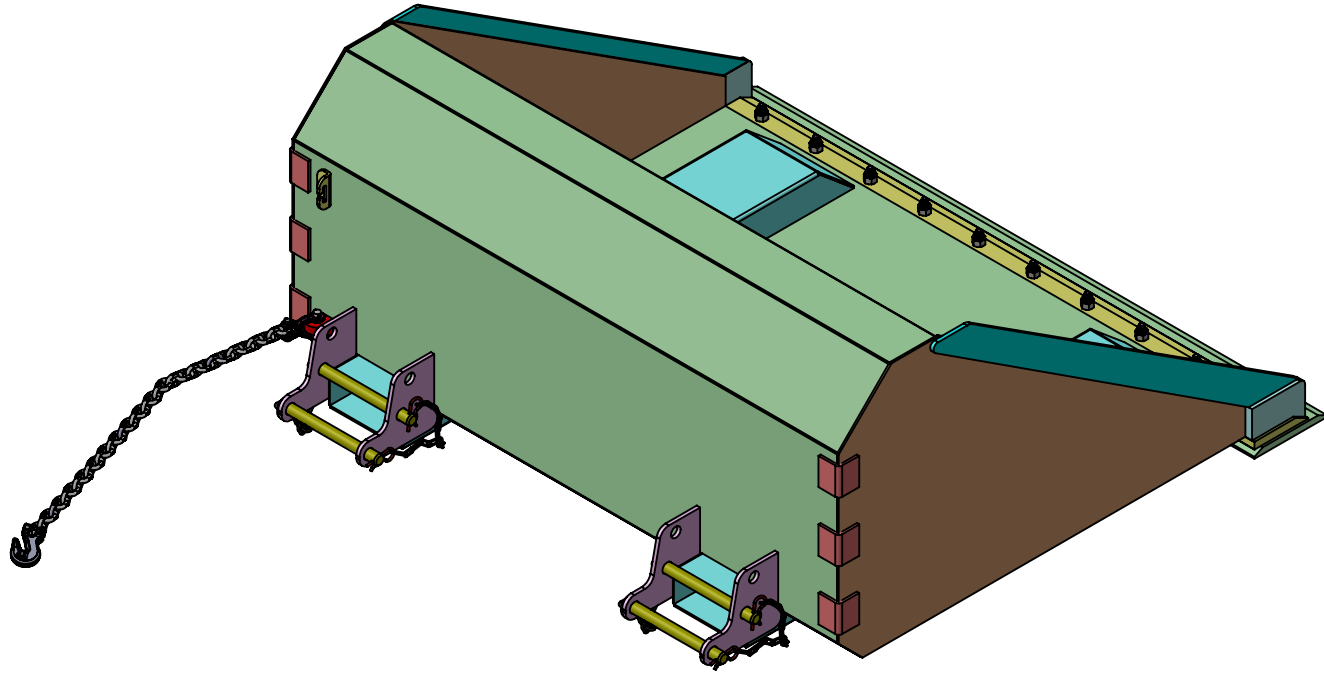


# 1400B



**PROPRIETARY AND CONFIDENTIAL**  
 THE INFORMATION CONTAINED IN THIS DRAWING IS THE SOLE PROPERTY OF STAR INDUSTRIES. ANY REPRODUCTION IN PART OR AS A WHOLE WITHOUT THE WRITTEN PERMISSION OF STAR INDUSTRIES IS PROHIBITED.

UNLESS OTHERWISE SPECIFIED:	NAME	DATE
DIMENSIONS ARE IN INCHES	DRAWN	HI-TECH 5/7/2019
TOLERANCES: $\pm 1/16$	CHECKED	
FRACTIONAL $\pm$	ENG APPR.	
ANGULAR: MACH $\pm$ BEND $\pm$	MFG APPR.	
TWO PLACE DECIMAL $\pm$	Q.A.	
THREE PLACE DECIMAL $\pm$	COMMENTS:	
INTERPRET GEOMETRIC TOLERANCING PER:		
MATERIAL REFER PARTS DETAILS		
FINISH		
DO NOT SCALE DRAWING		

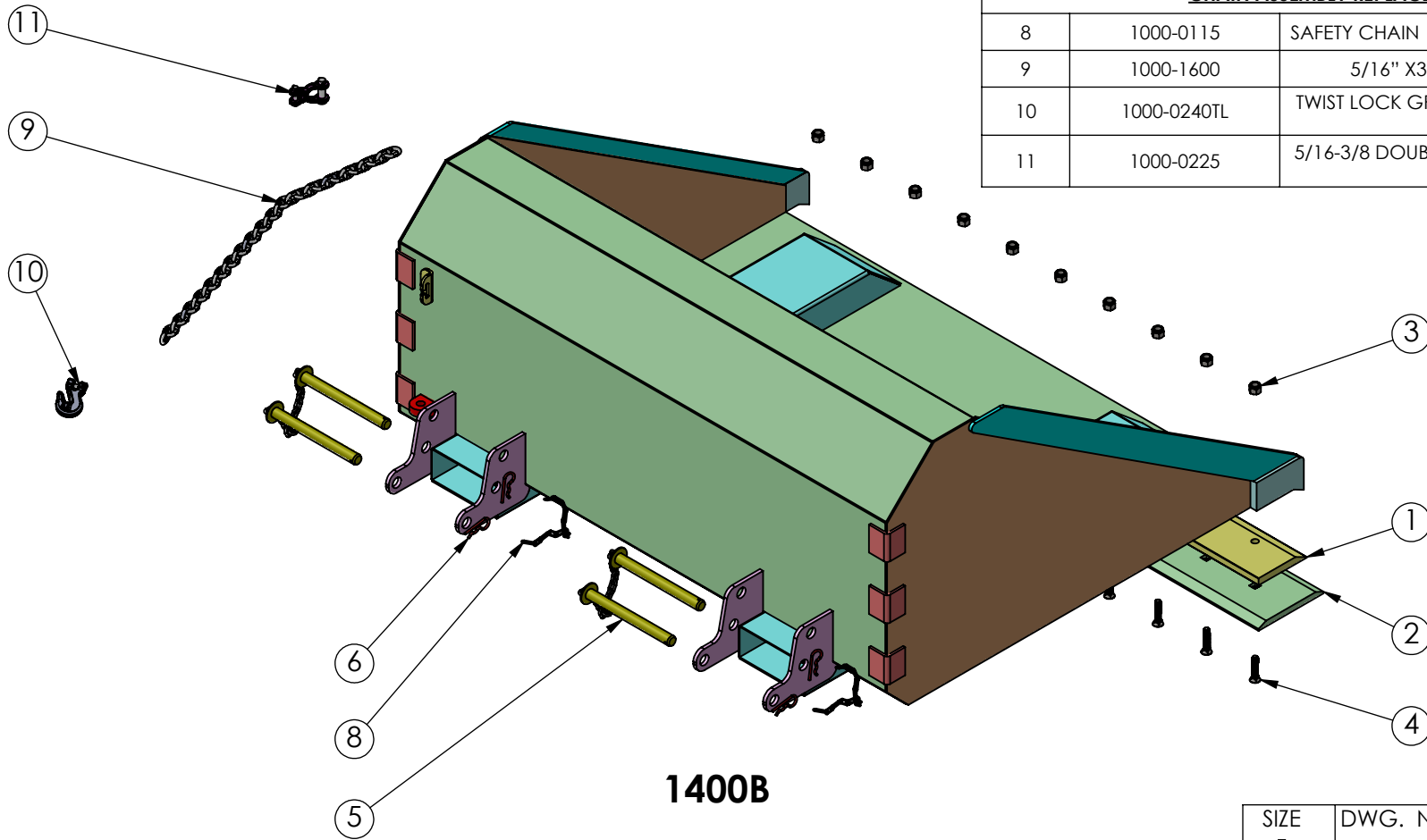


TITLE:  
**1400B**

SIZE <b>A</b>	DWG. NO. 1400B-REPLACABLE PARTS	REV <b>0</b>
SCALE: 1:15	WEIGHT: 620.20 LBS	SHEET 1 OF 2

Note:- Item number 8 (Safety chain assembly) is combination of Items 9,10 &11.

ITEM NO.	PART NUMBER	DESCRIPTION	QTY.
<b>BUCKET REPLACEABLE PARTS</b>			
1	D42650	SBFC 3/4" X 6" X 62 3/8" BLADE W/ 10 HOLES	1
2	D12125	DBFC 5/8" X8" X62 7/8" BLADE W/10 HOLES	1
3	0.625-11 NYLOCK NUT	NYLON INSERT LOCKNUT, 5/8-11 UNC	10
4	0.625-11- PLOW BOLT	PLOW BOLT-5/8"-11-UNC-2.5LG-GR-5	10
<b>FORK POCKET ASSEMBLY REPLACEABLE PARTS</b>			
5	1000-0108DBL	DUAL 10 1/4" X 1" LOCKING PINS W/CHAINS	2
6	1000-0109	HAIR PIN 3.5" X 0.177" DIA.	4
7	1000-0204A	#4 STRAIGHT LINK CHAIN	2
<b>CHAIN ASSEMBLY REPLACEABLE PARTS</b>			
8	1000-0115	SAFETY CHAIN ASSEMBLY WITH CLEVIS LINK	1
9	1000-1600	5/16" X36" GRADE 100 CHAIN	1
10	1000-0240TL	TWIST LOCK GR 80 GRAB HOOK FOR 5/16" CHAIN	1
11	1000-0225	5/16-3/8 DOUBLE CLEVIS LINK S247 5400 LB CAP	1



**1400B**

SIZE <b>A</b>	DWG. NO. 1400B-REPLACABLE PARTS	REV <b>0</b>
SCALE: 1:15	WEIGHT: 620.20 LBS	SHEET 2 OF 2