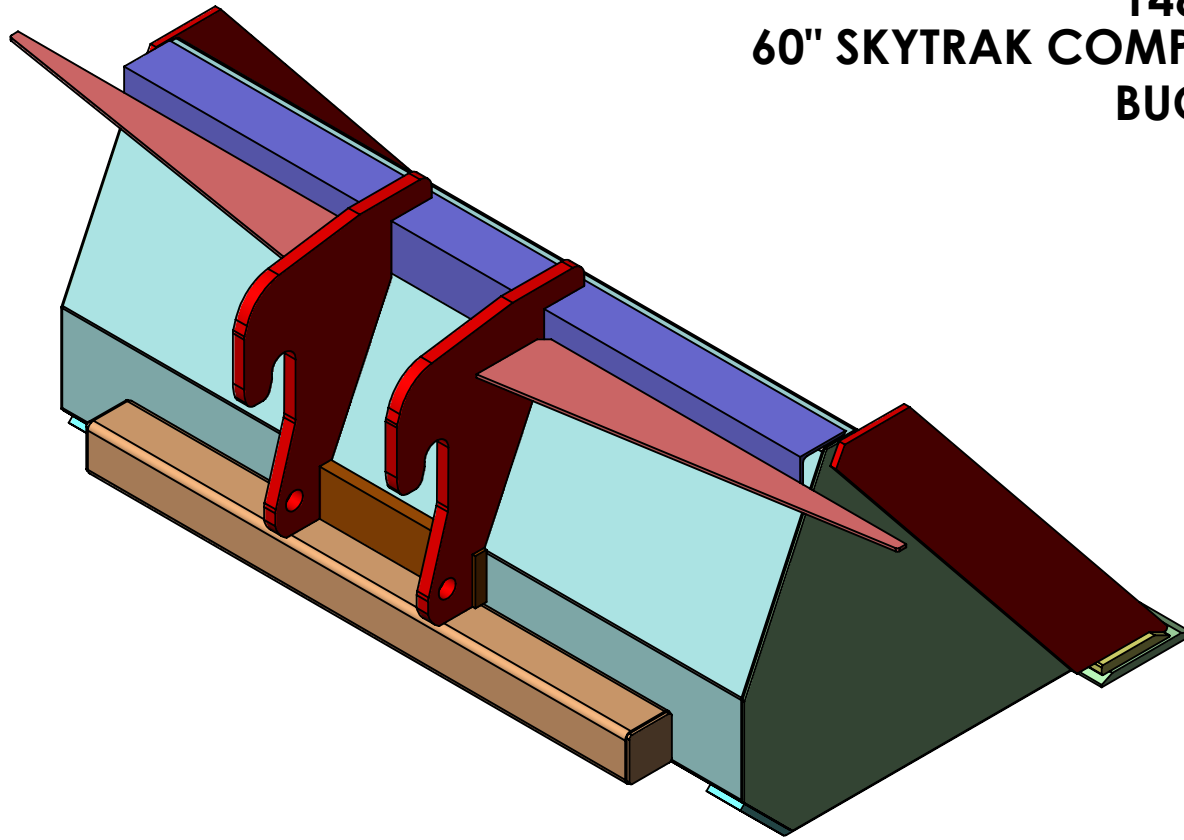


# 1460TK 60" SKYTRAK COMPATIBLE QUICK-TACH BUCKET



**PROPRIETARY AND CONFIDENTIAL**  
THE INFORMATION CONTAINED IN THIS DRAWING IS THE SOLE PROPERTY OF STAR INDUSTRIES. ANY REPRODUCTION IN PART OR AS A WHOLE WITHOUT THE WRITTEN PERMISSION OF STAR INDUSTRIES IS PROHIBITED.

UNLESS OTHERWISE SPECIFIED:

DIMENSIONS ARE IN INCHES  
TOLERANCES:  $\pm 1/16$   
FRACTIONAL  $\pm$   
ANGULAR: MACH  $\pm$  BEND  $\pm$   
TWO PLACE DECIMAL  $\pm$   
THREE PLACE DECIMAL  $\pm$

INTERPRET GEOMETRIC  
TOLERANCING PER:

MATERIAL  
REFER PARTS DETAILS

FINISH

DO NOT SCALE DRAWING

	NAME	DATE
DRAWN	HI-TECH	5/18/2019
CHECKED		
ENG APPR.		
MFG APPR.		
Q.A.		

COMMENTS:

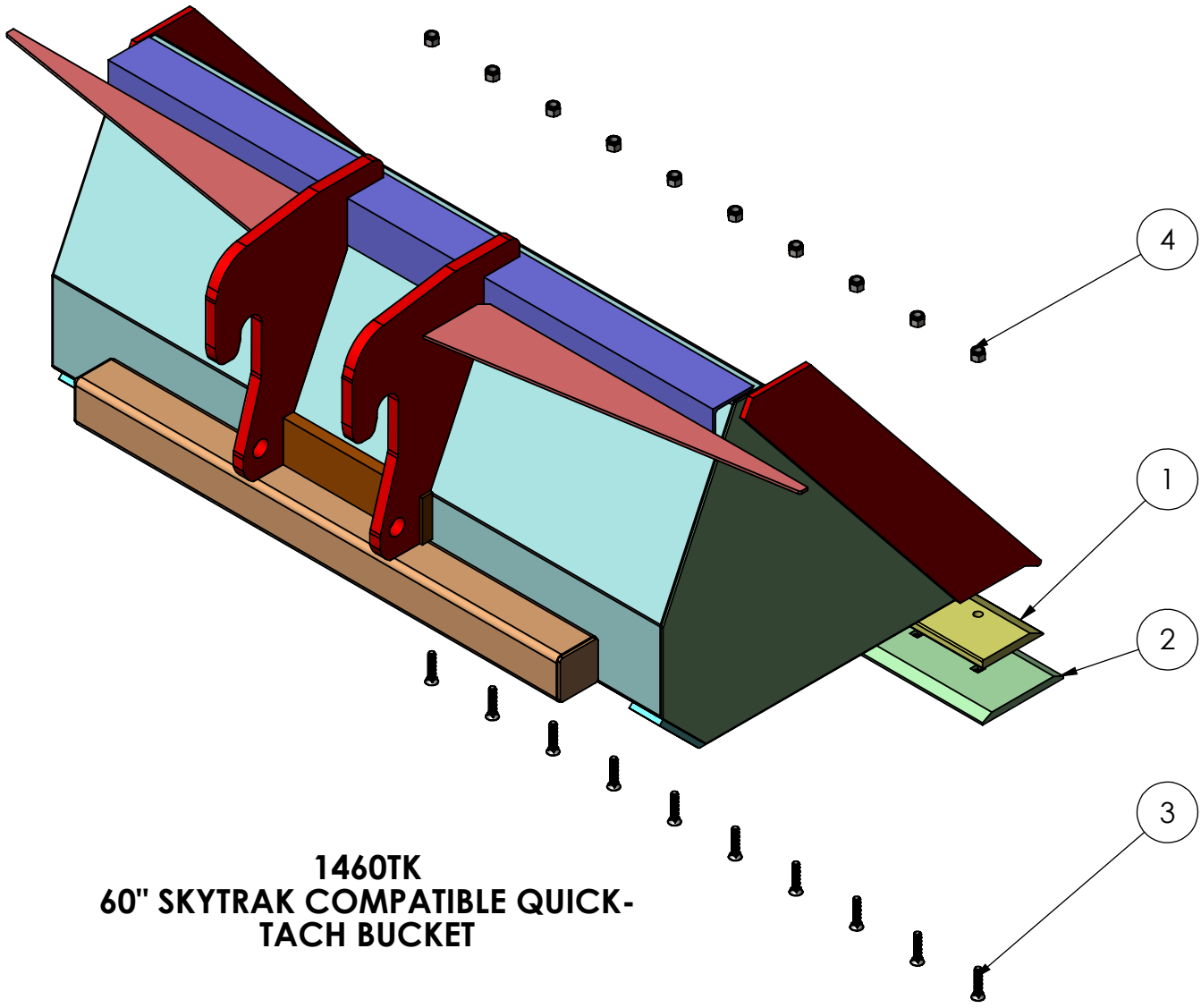


**STAR INDUSTRIES**

TITLE:  
60" SKYTRAK COMPATIBLE QUICK-TACH  
BUCKET

SIZE <b>A</b>	DWG. NO. 1460TK-REPLACEABLE PARTS	REV <b>0</b>
SCALE: NTS	WEIGHT: 759.27 LBS	SHEET 1 OF 2

ITEM NO.	PART NUMBER	DESCRIPTION	MATERIAL	QTY
1	D42650	SBFC 3/4" X 6" X 62 3/8" BLADE W/ 10 HOLES	PLAIN CARBON STEEL	1
2	D12125	DBFC 5/8" X8" X62 7/8" BLADE W/10 HOLES	ASTM A36 STEEL	1
3	BOB-01B	5/8-11 X 2 1/2" UNC PLOW BOLT-GRADE 5	STEEL	10
4	BOB-01N	NYLON INSERT LOCKNUT, 5/8-11 UNC	STEEL	10



**1460TK  
60" SKYTRAK COMPATIBLE QUICK-  
TACH BUCKET**

SIZE <b>A</b>	DWG. NO. 1460TK- REPLACEABLE PARTS	REV <b>0</b>
SCALE: NTS	WEIGHT: 759.27 LBS	SHEET 2 OF 2