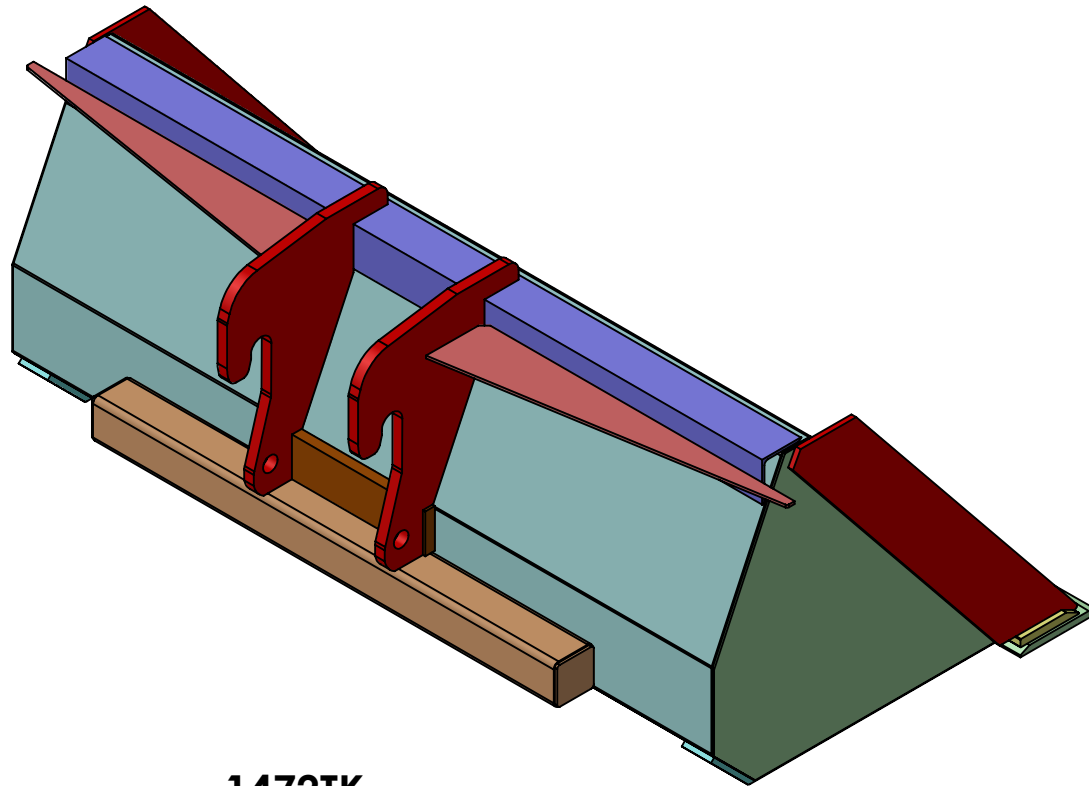


ITEM NO.	PART NUMBER	DESCRIPTION	MATERIAL	QTY
1	1472STD	72" QUICK-TACH BUCKET	REFER PARTS DETAILS	1
2	1400-22TK-ASSY	SKYTRAK BUCKET QT ASSY	REFER PARTS DETAILS	1
3	D12129	DBFC 5/8" X8" X 74 7/8" BLADE W/12 HOLES	ASTM A36 STEEL	1
4	BOB-01B	5/8-11 X 2 1/2" UNC PLOW BOLT-GRADE 5	STEEL	12
5	BOB-01N	NYLON INSERT LOCKNUT, 5/8-11 UNC	STEEL	12



1472TK 72" SKYTRAK COMPATIBLE QUICK-TACH BUCKET

UNLESS OTHERWISE SPECIFIED:

DIMENSIONS ARE IN INCHES
TOLERANCES: $\pm 1/16$
FRACTIONAL \pm
ANGULAR: MACH \pm BEND \pm
TWO PLACE DECIMAL \pm
THREE PLACE DECIMAL \pm

INTERPRET GEOMETRIC
TOLERANCING PER:

MATERIAL
REFER PARTS DETAILS

FINISH

DO NOT SCALE DRAWING

NAME

DATE

DRAWN HI-TECH 8/3/2019

CHECKED

ENG APPR.

MFG APPR.

Q.A.

COMMENTS:



STAR INDUSTRIES

TITLE:
72" SKYTRAK COMPATIBLE QUICK-TACH BUCKET

SIZE

A

DWG. NO.

1472TK-DLR

REV

0

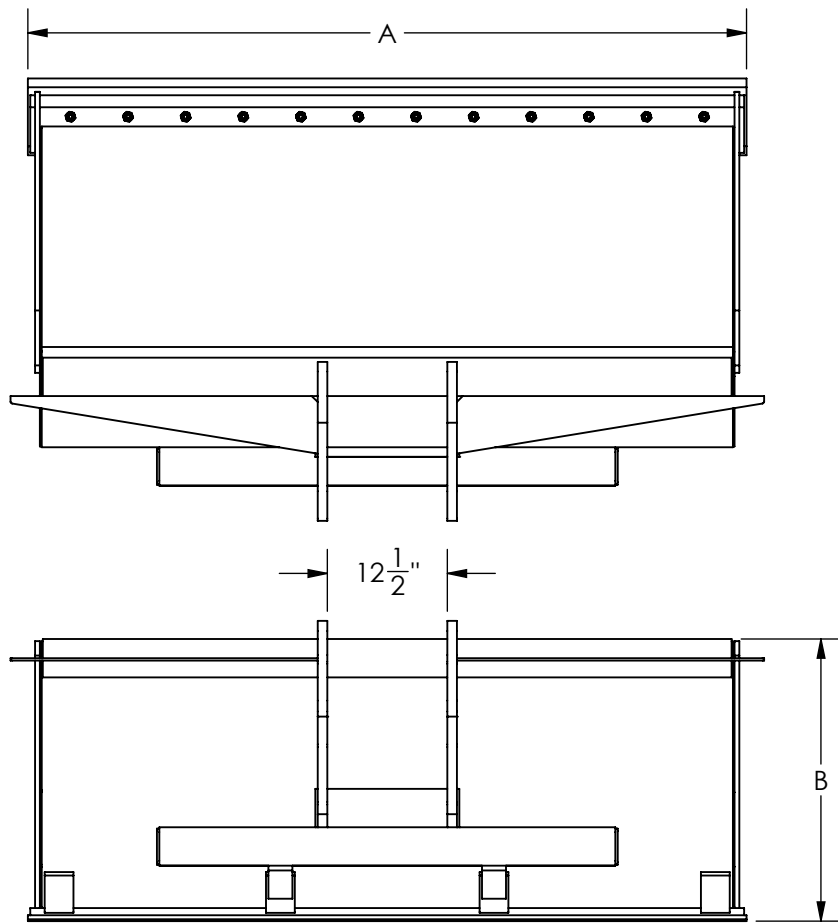
SCALE: 1:24

WEIGHT: 840.11 LBS

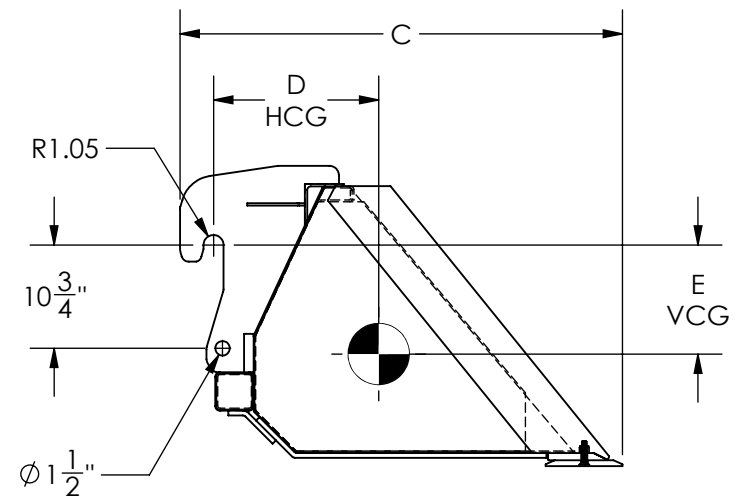
SHEET 1 OF 2

PROPRIETARY AND CONFIDENTIAL

THE INFORMATION CONTAINED IN THIS DRAWING IS THE SOLE PROPERTY OF STAR INDUSTRIES. ANY REPRODUCTION IN PART OR AS A WHOLE WITHOUT THE WRITTEN PERMISSION OF STAR INDUSTRIES IS PROHIBITED.



1472TK 72" SKYTRAK COMPATIBLE QUICK-TACH BUCKET



MODEL NO	A	B	C	D	E	BUCKET VOLUME	BUCKET LOAD CAPACITY	EMPTY WEIGHT	LOADED HORZ CG	LOADED VERT CG
1472TK	74 7/8"	29 3/8"	46 1/8"	18 3/8"	12 5/16"	1.0 CYD	3500 LBS	840.11 LBS	17 3/16"	11 3/8"

ALL SKYTRAKS, MOST JLG TELEHANDLERS MANUFACTURED AFTER OCT 2008, GENIE 6K & 8K , JCB WITH NARROW QUICK-TACH, XTREME MODELS XR842, XR1045, XR1245, XR1055, XR1147, XR1245, XR1255, XR1270, XR1470, SR9244, & SR1054. 12.5" BETWEEN THE EARS

SIZE A	DWG. NO. 1472TK-DLR	REV 0
SCALE: NTS	WEIGHT: 840.11 LBS	SHEET 2 OF 2