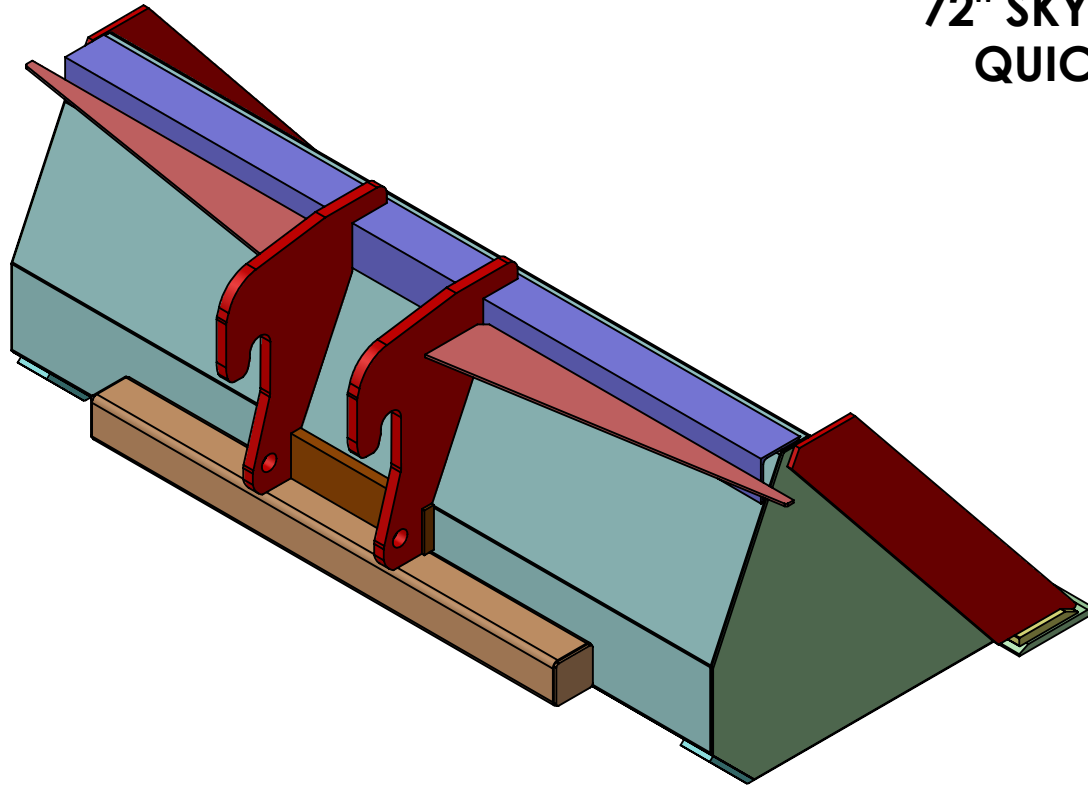


1472TK 72" SKYTRAK COMPATIBLE QUICK-TACH BUCKET



UNLESS OTHERWISE SPECIFIED:

DIMENSIONS ARE IN INCHES
TOLERANCES: $\pm 1/16$
FRACTIONAL \pm
ANGULAR: MACH \pm BEND \pm
TWO PLACE DECIMAL \pm
THREE PLACE DECIMAL \pm

INTERPRET GEOMETRIC
TOLERANCING PER:

MATERIAL
REFER PARTS DETAILS

FINISH

DO NOT SCALE DRAWING

	NAME	DATE
DRAWN	HI-TECH	8/3/2019
CHECKED		
ENG APPR.		
MFG APPR.		
Q.A.		

COMMENTS:



STAR INDUSTRIES

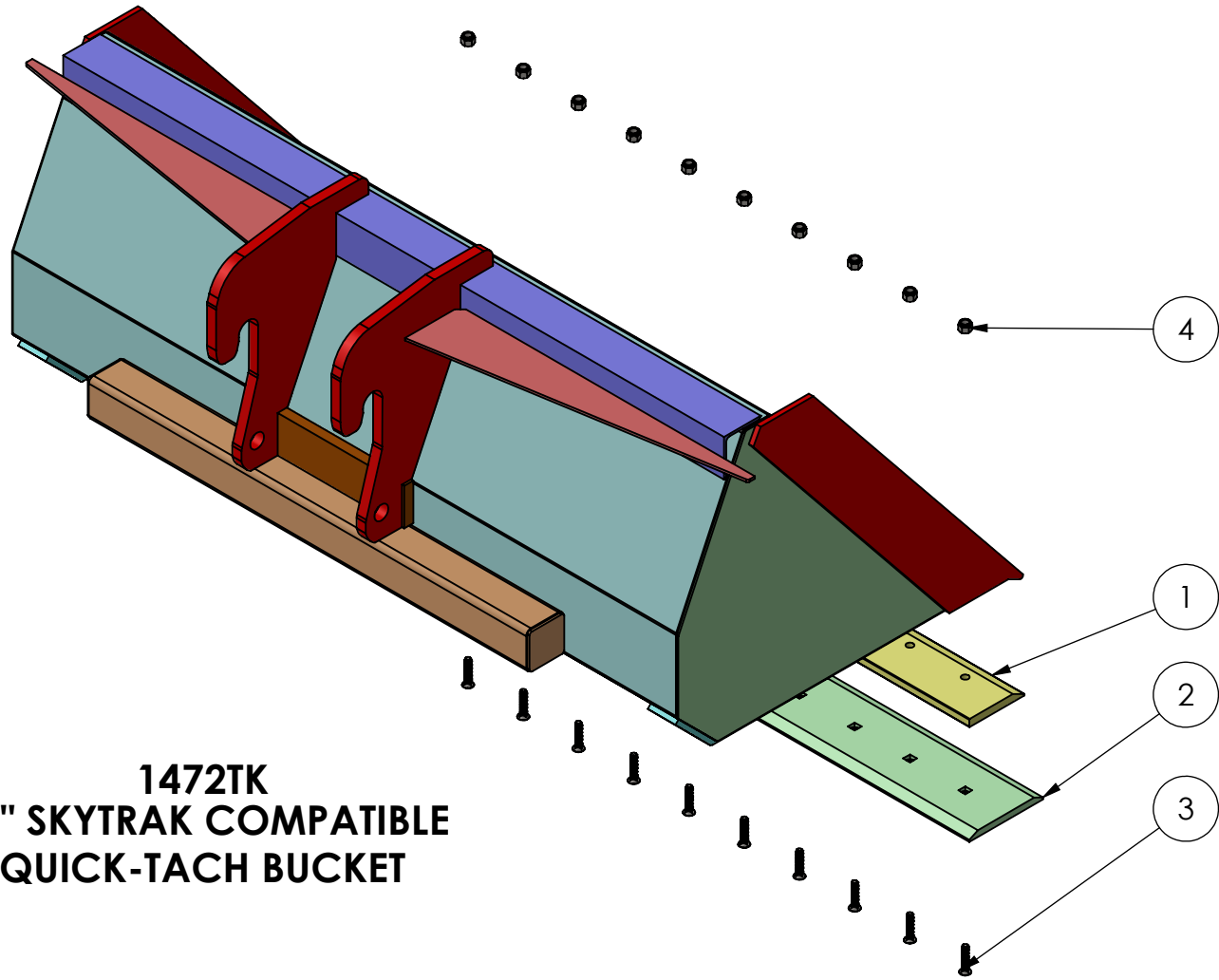
TITLE:
72" SKYTRAK COMPATIBLE QUICK-TACH BUCKET

SIZE A	DWG. NO. 1472TK- REPLACEABLE PARTS	REV 0
SCALE: 1:14	WEIGHT: 840.11 LBS	SHEET 1 OF 2

PROPRIETARY AND CONFIDENTIAL
THE INFORMATION CONTAINED IN THIS DRAWING IS THE SOLE PROPERTY OF STAR INDUSTRIES. ANY REPRODUCTION IN PART OR AS A WHOLE WITHOUT THE WRITTEN PERMISSION OF STAR INDUSTRIES IS PROHIBITED.

ITEM NO.	PART NUMBER	DESCRIPTION	MATERIAL	QTY
1	D12308	SBFC BLADE 3/4" X 6" X 74 3/8" LONG W/ 12 HOLES	ASTM A36 STEEL	1
2	D12129	DBFC 5/8" X8" X 74 7/8" BLADE W/12 HOLES	ASTM A36 STEEL	1
3	BOB-01B	5/8-11 X 2 1/2" UNC PLOW BOLT-GRADE 5	STEEL	12
4	BOB-01N	NYLON INSERT LOCKNUT, 5/8-11 UNC	STEEL	12

**1472TK
72" SKYTRAK COMPATIBLE
QUICK-TACH BUCKET**



SIZE A	DWG. NO. 1472TK-REPLACEABLE PARTS	REV 0
SCALE: NTS	WEIGHT: 840.11 LBS	SHEET 2 OF 2