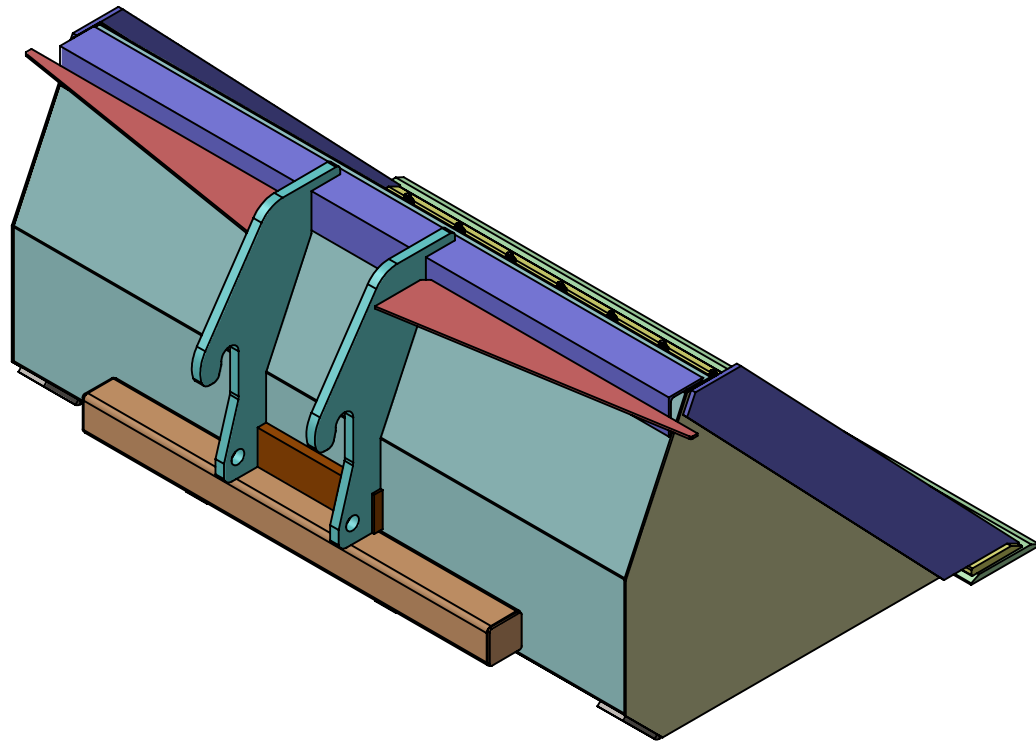


ITEM NO.	PART NUMBER	DESCRIPTION	MATERIAL	QTY
1	1472HB	72" HIGH BACK QUICK-TACH BUCKET	REFER PARTS DETAILS	1
2	1400-22HBTK-ASSY	SKYTRAK HB BUCKET QT ASSY	REFER PARTS DETAILS	1
3	D12129	DBFC 5/8" X8" X 74 7/8" BLADE W/12 HOLES	ASTM A36 STEEL	1
4	BOB-01B	5/8-11 X 2 1/2" UNC PLOW BOLT-GRADE 5	STEEL	12
5	BOB-01N	NYLON INSERT LOCKNUT, 5/8-11 UNC	STEEL	12



**1472HB-TK
72" HIGH BACK SKYTRAK COMPATIBLE
QUICK-TACH BUCKET**

PROPRIETARY AND CONFIDENTIAL
THE INFORMATION CONTAINED IN THIS DRAWING IS THE SOLE PROPERTY OF STAR INDUSTRIES. ANY REPRODUCTION IN PART OR AS A WHOLE WITHOUT THE WRITTEN PERMISSION OF STAR INDUSTRIES IS PROHIBITED.

UNLESS OTHERWISE SPECIFIED:
DIMENSIONS ARE IN INCHES
TOLERANCES: $\pm 1/16$
FRACTIONAL \pm
ANGULAR: MACH \pm BEND \pm
TWO PLACE DECIMAL \pm
THREE PLACE DECIMAL \pm

INTERPRET GEOMETRIC TOLERANCING PER:
MATERIAL REFER PARTS DETAILS
FINISH

DO NOT SCALE DRAWING

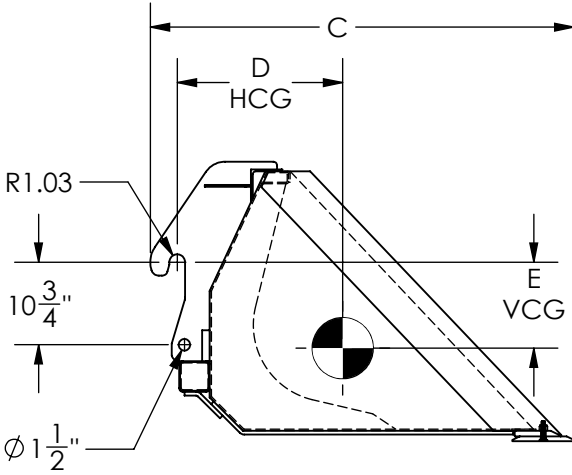
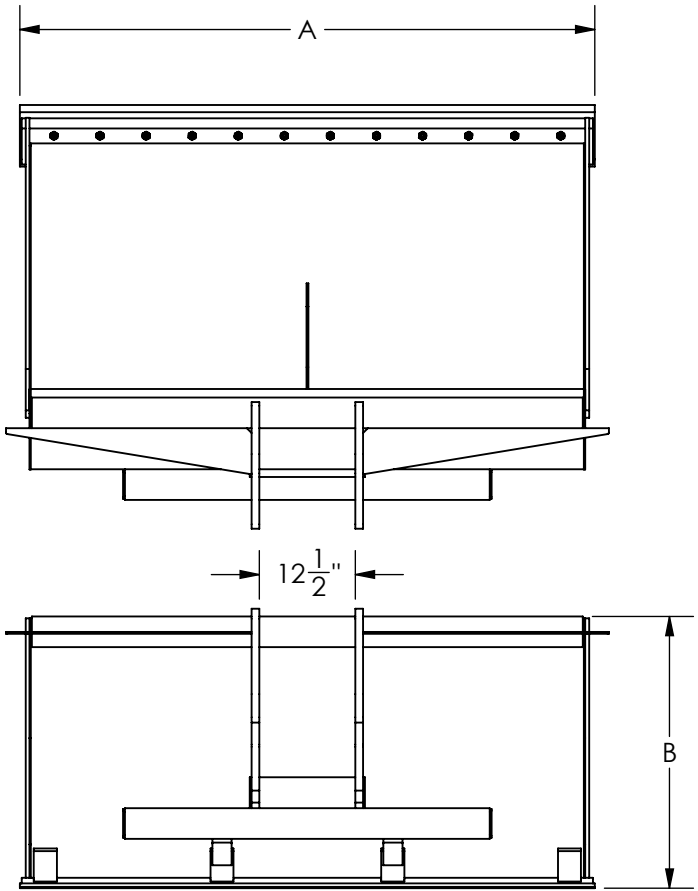
	NAME	DATE
DRAWN	HI-TECH	8/3/2019
CHECKED		
ENG APPR.		
MFG APPR.		
Q.A.		
COMMENTS:		



TITLE:
**72" HIGH BACK SKYTRAK
COMPATIBLE QUICK-TACH BUCKET**

SIZE A	DWG. NO. 1472HB-TK-DLR	REV 0
SCALE: 1:16	WEIGHT: 972.77 LBS	SHEET 1 OF 2

**1472HB-TK
72" HIGH BACK SKYTRAK
COMPATIBLE QUICK-TACH BUCKET**



MODEL NO	A	B	C	D	E	BUCKET VOLUME	BUCKET LOAD CAPACITY	EMPTY WEIGHT	LOADED HORZ CG	LOADED VERT CG
1472HB-TK	74 7/8"	35 3/8"	55 3/16"	21 9/16"	11 3/16"	1.25 CYD	4200 LBS	972.77 LBS	16 15/16"	8 1/4"

ALL SKYTRAKS, MOST JLG TELEHANDLERS MANUFACTURED AFTER OCT 2008, GENIE 6K & 8K , JCB WITH NARROW QUICK-TACH, XTREME MODELS XR842, XR1045, XR1245, XR1055, XR1147, XR1245, XR1255, XR1270, XR1470, SR9244, & SR1054. 12.5" BETWEEN THE EARS

SIZE A	DWG. NO. 1472HB-TK-DLR	REV 0
SCALE: NTS	WEIGHT: 972.77 LBS	SHEET 2 OF 2