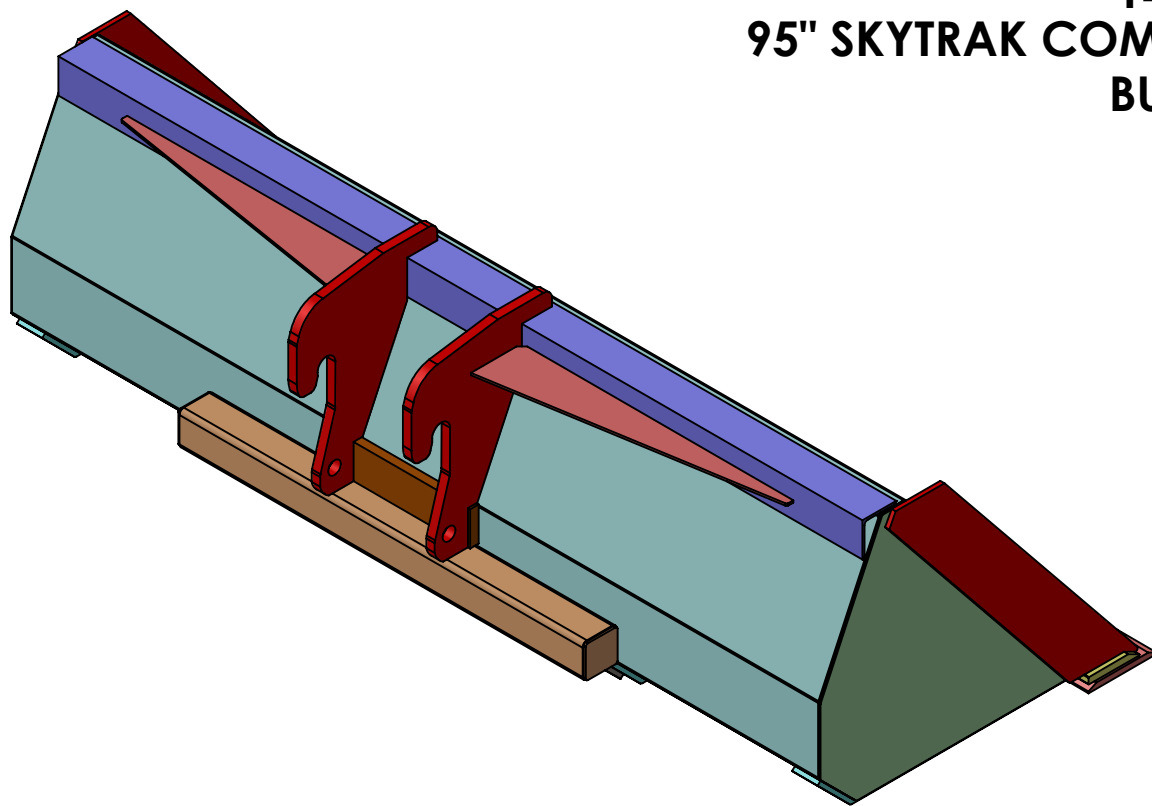


1496TK 95" SKYTRAK COMPATIBLE QUICK-TACH BUCKET



PROPRIETARY AND CONFIDENTIAL
THE INFORMATION CONTAINED IN THIS DRAWING IS THE SOLE PROPERTY OF STAR INDUSTRIES. ANY REPRODUCTION IN PART OR AS A WHOLE WITHOUT THE WRITTEN PERMISSION OF STAR INDUSTRIES IS PROHIBITED.

UNLESS OTHERWISE SPECIFIED:

DIMENSIONS ARE IN INCHES
TOLERANCES: $\pm 1/16$
FRACTIONAL \pm
ANGULAR: MACH \pm BEND \pm
TWO PLACE DECIMAL \pm
THREE PLACE DECIMAL \pm

INTERPRET GEOMETRIC TOLERANCING PER:
MATERIAL REFER PARTS DETAILS
FINISH

DO NOT SCALE DRAWING

	NAME	DATE
DRAWN	HI-TECH	8/3/2019
CHECKED		
ENG APPR.		
MFG APPR.		
Q.A.		

COMMENTS:



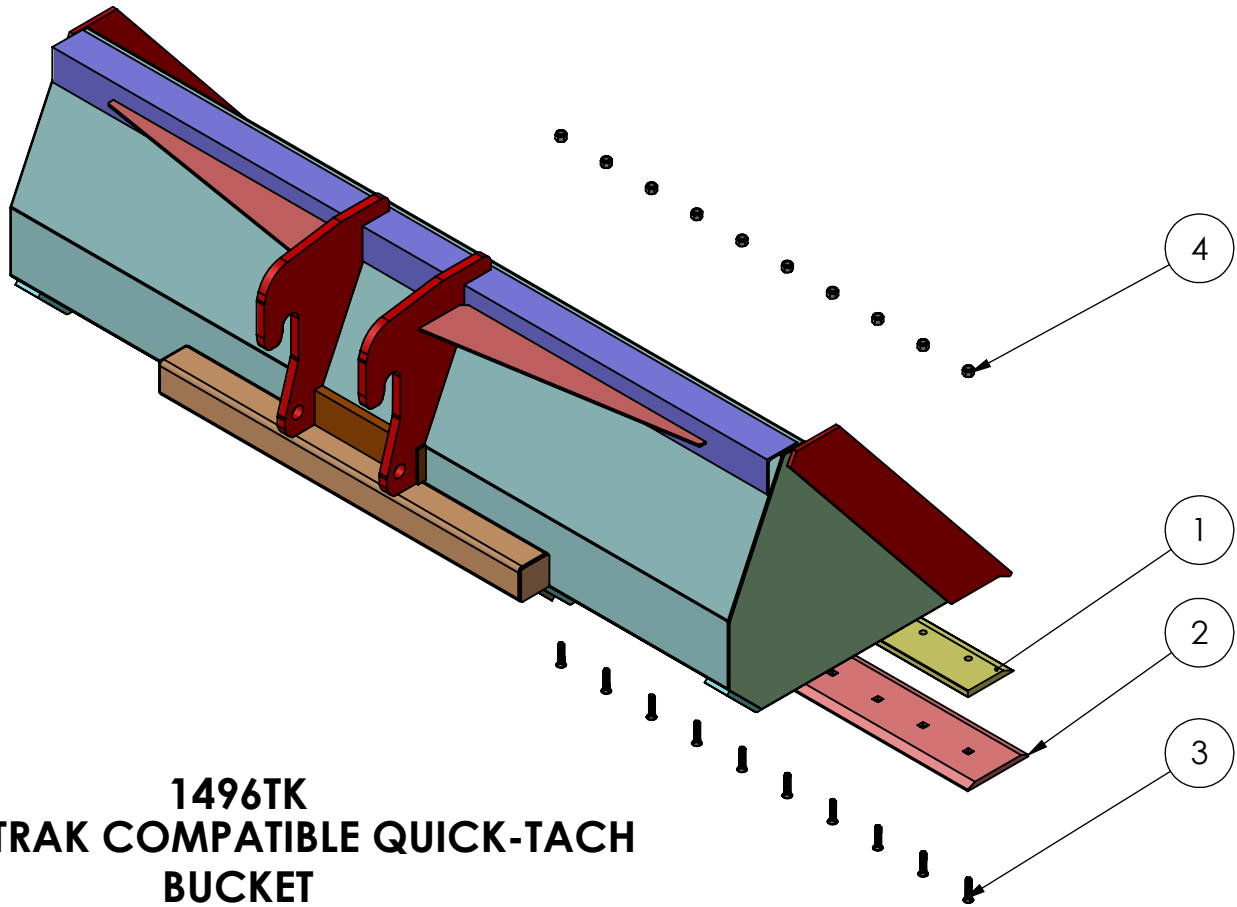
STAR INDUSTRIES

TITLE:
95" SKYTRAK COMPATIBLE QUICK-TACH BUCKET

SIZE A	DWG. NO. 1496TK- REPLACEABLE PARTS	REV 0
SCALE: 1:16	WEIGHT: 1019.96 LBS	SHEET 1 OF 2

ITEM NO.	PART NUMBER	DESCRIPTION	MATERIAL	QTY
1	D15994	SBFC 3/4" X 6" X 97 3/8" BLADE W/16 HOLES	PLAIN CARBON STEEL	1
2	D15993	DBFC 5/8" X 8" X 97 7/8" BLADE W/ 16 HOLES	ASTM A36 STEEL	1
3	BOB-01B	5/8-11 X 2 1/2" UNC PLOW BOLT-GRADE 5	STEEL	16
4	BOB-01N	NYLON INSERT LOCKNUT, 5/8-11 UNC	STEEL	16

**1496TK
95" SKYTRAK COMPATIBLE QUICK-TACH
BUCKET**



SIZE A	DWG. NO. 1496TK-REPLACEABLE PARTS	REV 0
SCALE: NTS	WEIGHT: 1019.96 LBS	SHEET 2 OF 2