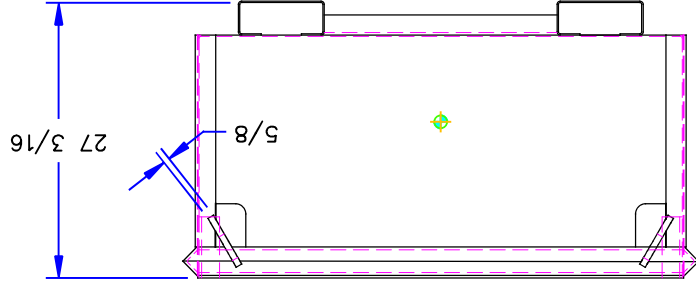
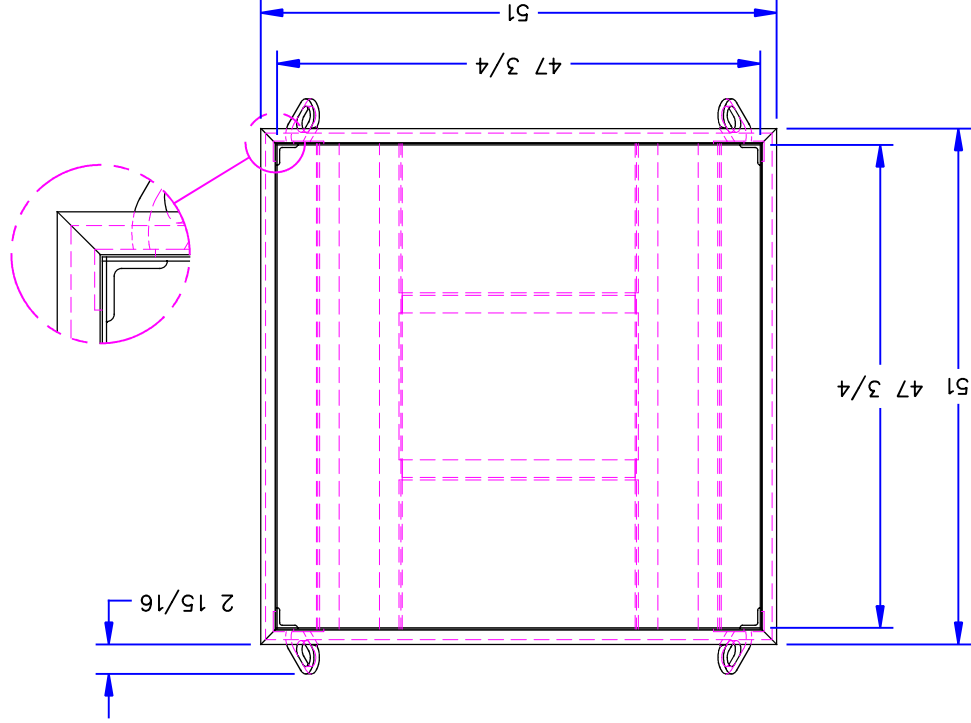
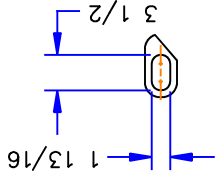
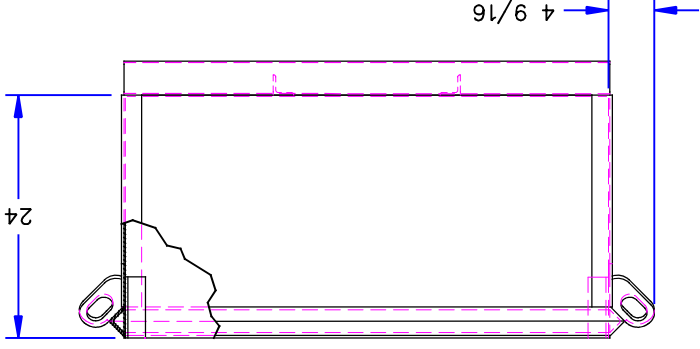


SIDE VIEW



END VIEW



RATED LOAD CAPACITY 4,000 LBS +  
 EMPTY WEIGHT - 600 LBS APPROX.  
 10 GA WELDED STEEL CONSTRUCTION  
 FORK POCKET I.D. - 7.75" WIDE X 3" HIGH  
 4 POINT PICK-UP  
 SLINGS, SHACKLES AND/OR HOOKS NOT INCLUDED.

MODEL 1454 CRANE LIFT BOX  
 STAR INDUSTRIES  
 FORT WORTH, TX 76117  
 DWN BY PK AUG 24, 2011  
 DWG 1454 SHEET 1 OF 3  
 DESIGN PROPERTY OF STAR INDUSTRIES