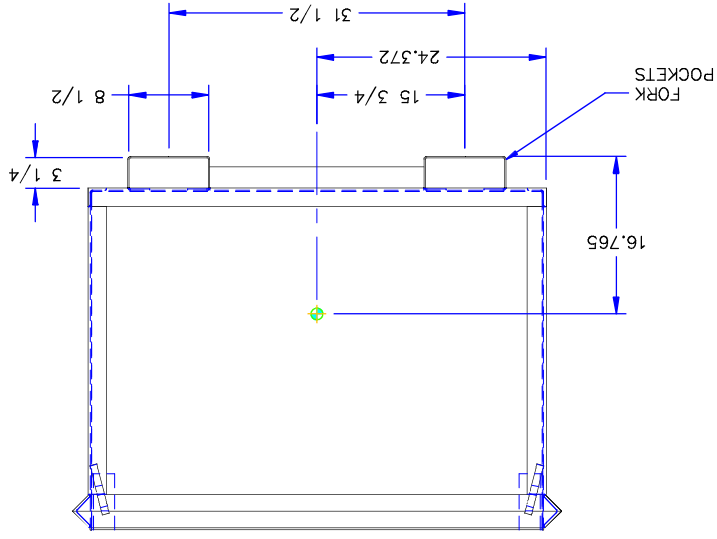
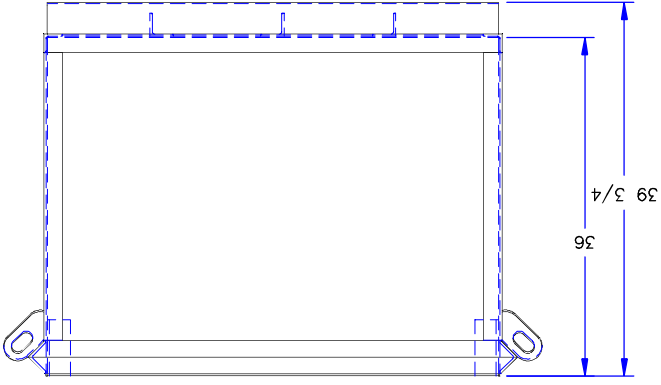


DEALER DWG  
 MODEL 1455 CRANE LIFT BOX  
 STAR INDUSTRIES  
 FORT WORTH, TX 76117  
 DWN BY APDI NOV 18, 2010  
 DWG 1455 SHEET 1 OF 3  
 DESIGN PROPERTY OF STAR INDUSTRIES

RATED LOAD CAPACITY 4,000 LBS  
 10 GA WELDED STEEL CONSTRUCTION  
 FORK POCKET I.D. - 8.38" WIDE x 3" HIGH  
 4 POINT PICK-UP  
 SLINGS, SHACKLES AND/OR HOOKS NOT INCLUDED.



LIFTING EAR 5/8" PLATE  
 PART # 1455-008  
 4 REQUIRED

