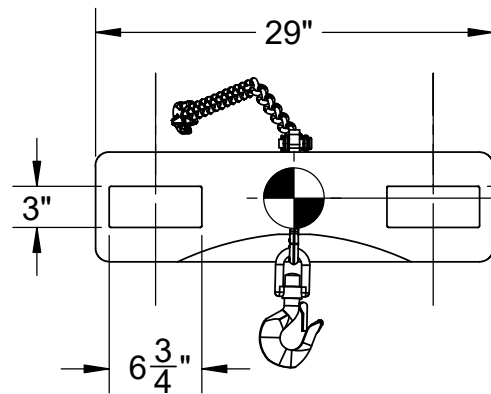
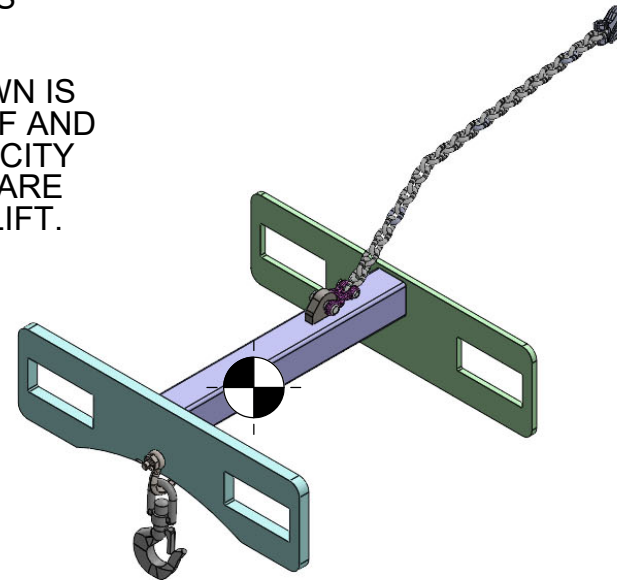
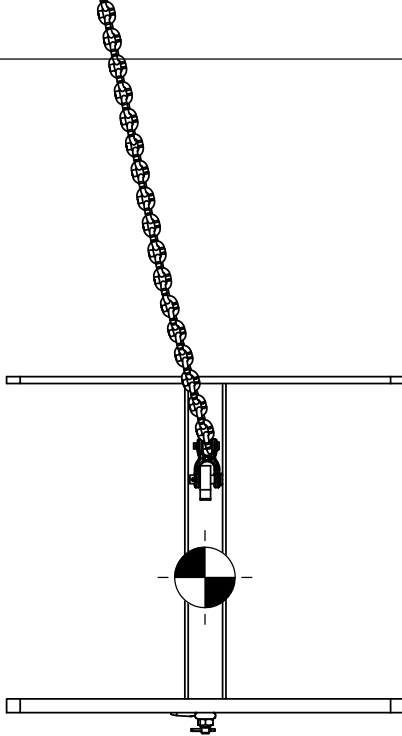
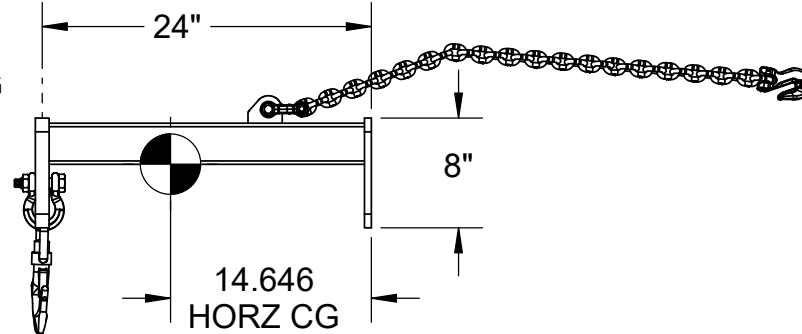


MODEL 1366 LIFT HOOK  
 LOAD CAPACITY - 6,000 LBS  
 EMPTY WEIGHT - 105 LBS.

CAUTION: CAPACITY SHOWN IS FOR THE LIFT HOOK ITSELF AND DOES NOT REFLECT CAPACITY OF THE FORKLIFT. TAKE CARE NOT TO OVERLOAD FORKLIFT.



.859 VER CG



**PROPRIETARY AND CONFIDENTIAL**  
 THE INFORMATION CONTAINED IN THIS DRAWING IS THE SOLE PROPERTY OF <INSERT COMPANY NAME HERE>. ANY REPRODUCTION IN PART OR AS A WHOLE WITHOUT THE WRITTEN PERMISSION OF <INSERT COMPANY NAME HERE> IS PROHIBITED.

		UNLESS OTHERWISE SPECIFIED:	NAME	DATE
		DIMENSIONS ARE IN INCHES	DRAWN	PK
		TOLERANCES:	CHECKED	4/22/20
		FRACTIONAL	ENG APPR.	
		ANGULAR: MACH BEND	MFG APPR.	
		TWO PLACE DECIMAL	Q.A.	
		THREE PLACE DECIMAL	COMMENTS:	
		INTERPRET GEOMETRIC TOLERANCING PER:		
		MATERIAL		
NEXT ASSY	USED ON	FINISH		
APPLICATION		DO NOT SCALE DRAWING		

**STAR INDUSTRIES**

TITLE:  
**MODEL 1366  
 6K LIFT HOOK**

SIZE <b>A</b>	DWG. NO. 1366 DLR DWG	REV
------------------	--------------------------	-----

SCALE: 1:14	WEIGHT:	SHEET 1 OF 1
-------------	---------	--------------