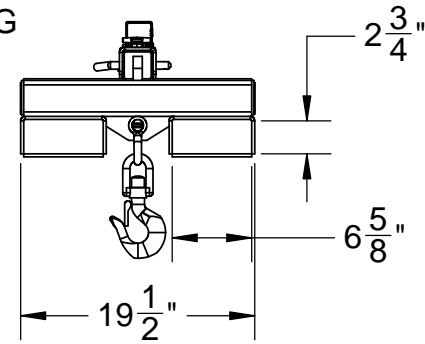
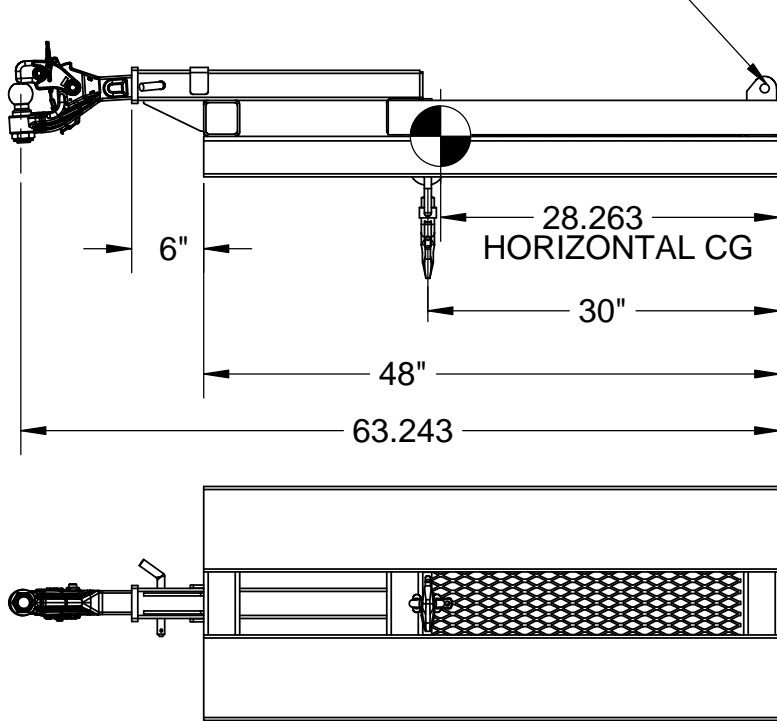
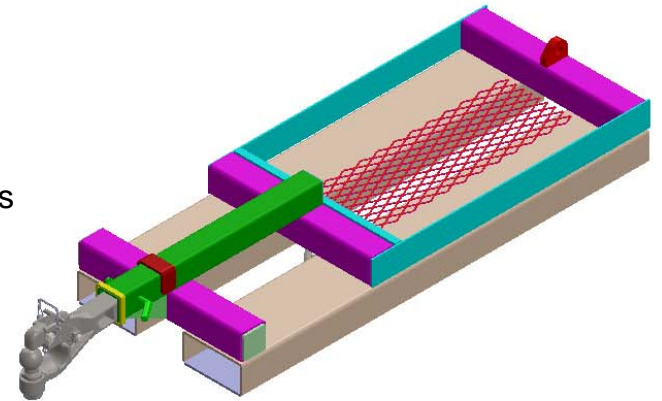


SAFETY CHAIN ANCHOR
CHAIN ASSY NOT SHOWN



Installation:
Insert forks fully into fork tubes so that back of attachment is against the face of the fork upright. Secure to forklift mast with safety chain so that there is very minimal slack in the chain.



SCALE 1 : 16

RATED CAPACITIES

SWIVEL HOOK - 4,000 lbs.

NOTE: CAN BE INCREASED TO 6K BY CHANGING TO A 3 TON SHACKLE AND HOOK.

MAX. GROSS TOWING WEIGHT - 10,000 LBS.

MAX. TONGUE WEIGHT - 2,000 LBS.

PROPRIETARY AND CONFIDENTIAL
THE INFORMATION CONTAINED IN THIS DRAWING IS THE SOLE PROPERTY OF <INSERT COMPANY NAME HERE>. ANY REPRODUCTION IN PART OR AS A WHOLE WITHOUT THE WRITTEN PERMISSION OF <INSERT COMPANY NAME HERE> IS PROHIBITED.

		UNLESS OTHERWISE SPECIFIED:		NAME	DATE
		DIMENSIONS ARE IN INCHES	DRAWN	PK	9/5/14
		TOLERANCES:	CHECKED		
		FRACTIONAL ±	ENG APPR.		
		ANGULAR: MACH ± BEND ±	MFG APPR.		
		TWO PLACE DECIMAL ±	Q.A.		
		THREE PLACE DECIMAL ±	COMMENTS:		
		INTERPRET GEOMETRIC TOLERANCING PER:			
		MATERIAL			
NEXT ASSY	USED ON	FINISH			
APPLICATION		DO NOT SCALE DRAWING			

STAR INDUSTRIES		
TITLE: 1390B LIFT N TOW WITH 1393 COMBO HITCH		
SIZE A	DWG. NO. 1390B CG DWG	REV
SCALE: 1:16	WEIGHT: 250LBS	SHEET 1 OF 1