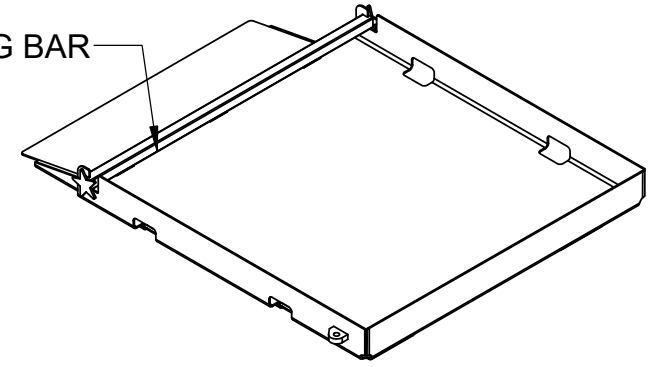


DROP-IN LOCKING BAR



MODEL 1385 SAFETY LOADING PLATFORM

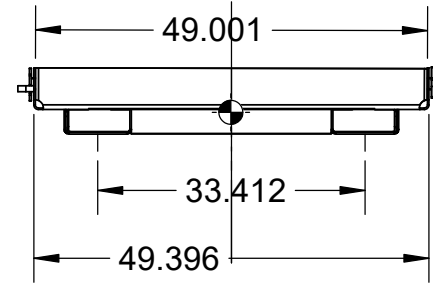
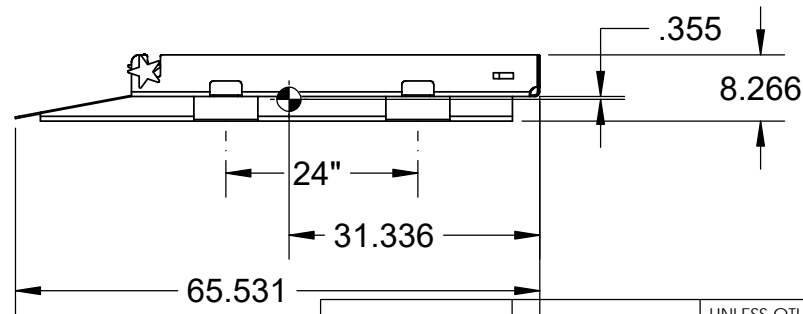
MAX. LOAD CAPACITY 1,000 LBS.

CAN BE PICKED UP FROM ONE END OR EITHER SIDE

EMPTY WEIGHT - 305 LBS.

ACCEPTS FORKS UP TO 2.75" THICK X 7" WIDEX 48" LONG

SAFETY CHAIN WITH LOCKING GRAB HOOK (NOT SHOWN) CONNECTS TO SIDE ANCHOR BLOCK.



PROPRIETARY AND CONFIDENTIAL
 THE INFORMATION CONTAINED IN THIS DRAWING IS THE SOLE PROPERTY OF <INSERT COMPANY NAME HERE>. ANY REPRODUCTION IN PART OR AS A WHOLE WITHOUT THE WRITTEN PERMISSION OF <INSERT COMPANY NAME HERE> IS PROHIBITED.

		UNLESS OTHERWISE SPECIFIED:	NAME	DATE
		DIMENSIONS ARE IN INCHES	DRAWN	PK
		TOLERANCES:	CHECKED	2/1/18
		FRACTIONAL ±	ENG APPR.	
		ANGULAR: MACH ± BEND ±	MFG APPR.	
		TWO PLACE DECIMAL ±	Q.A.	
		THREE PLACE DECIMAL ±	COMMENTS:	
		INTERPRET GEOMETRIC TOLERANCING PER:		
		MATERIAL		
NEXT ASSY	USED ON	FINISH		
APPLICATION		DO NOT SCALE DRAWING		

STAR INDUSTRIES		
TITLE: Safety Loading Platform with 48"x48" deck		
SIZE A	DWG. NO. 1385 CG DRAWING	REV
SCALE: 1:24	WEIGHT:	SHEET 1 OF 1