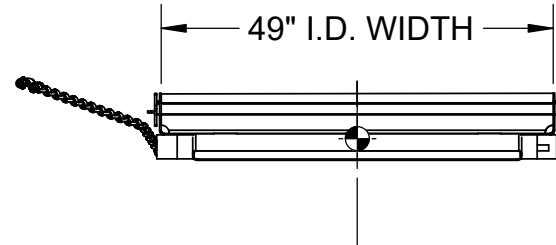
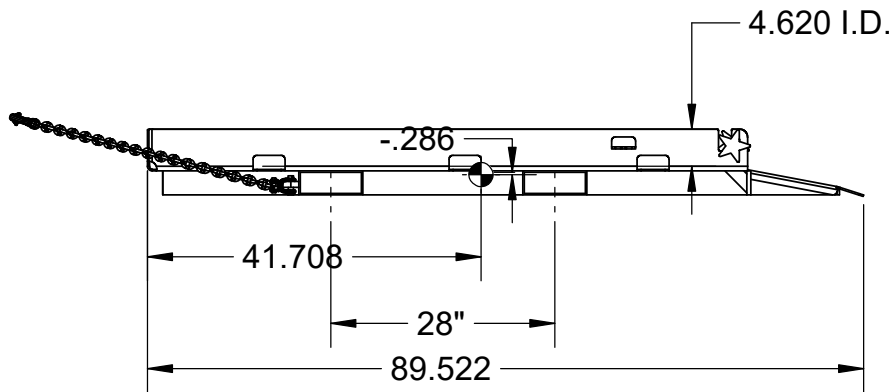


MODEL 13857 SAFETY LOADING PLATFORM
MAX. LOAD CAPACITY 5,000 LBS.
15" LONG FIXED RAMP
CAN BE PICKED UP FROM EITHER SIDE
NOTE: CAN NOT BE PICKED UP FROM END
EMPTY WEIGHT - 595 LBS.
ACCEPTS FORKS UP TO 2.75" THICK X 7" WIDE X 48" LONG



PROPRIETARY AND CONFIDENTIAL
 THE INFORMATION CONTAINED IN THIS DRAWING IS THE SOLE PROPERTY OF <INSERT COMPANY NAME HERE>. ANY REPRODUCTION IN PART OR AS A WHOLE WITHOUT THE WRITTEN PERMISSION OF <INSERT COMPANY NAME HERE> IS PROHIBITED.

		UNLESS OTHERWISE SPECIFIED:		NAME	DATE
		DIMENSIONS ARE IN INCHES	DRAWN	PK	4/20/20
		TOLERANCES:	CHECKED		
		FRACTIONAL	ENG APPR.		
		ANGULAR: MACH BEND	MFG APPR.		
		TWO PLACE DECIMAL	Q.A.		
		THREE PLACE DECIMAL	COMMENTS:		
		INTERPRET GEOMETRIC TOLERANCING PER:			
		MATERIAL			
NEXT ASSY	USED ON	FINISH			
APPLICATION		DO NOT SCALE DRAWING			

STAR INDUSTRIES		
TITLE:		
MODEL 1387 SAFETY LOADING PLATFORM 48X72 DECK		
SIZE	DWG. NO.	REV
A	1387 DLR DWG	
SCALE: 1:32	WEIGHT:	SHEET 1 OF 1