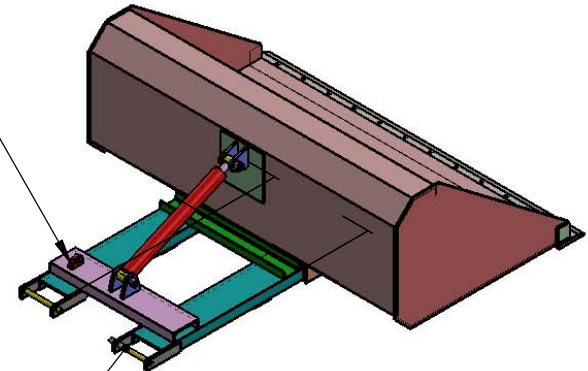


SAFETY CHAIN (NOT SHOWN)
WRAPS AROUND CARRIAGE
TO SECURE ATTACHMENT TO CARRIAGE

DESIGNED FOR USE WITH 48" LONG FORKS
ONLY.

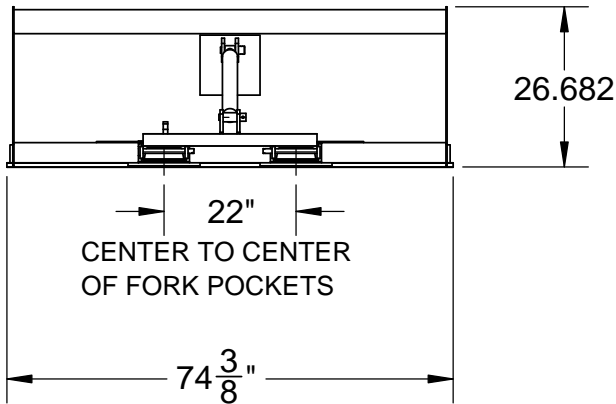
WILL ACCEPT FORKS UP TO 6" WIDE AND
2.375" THICK.

BUCKET CAPACITY - 0.80 CUYDS
LOAD CAPACITY - 3,250 LBS.



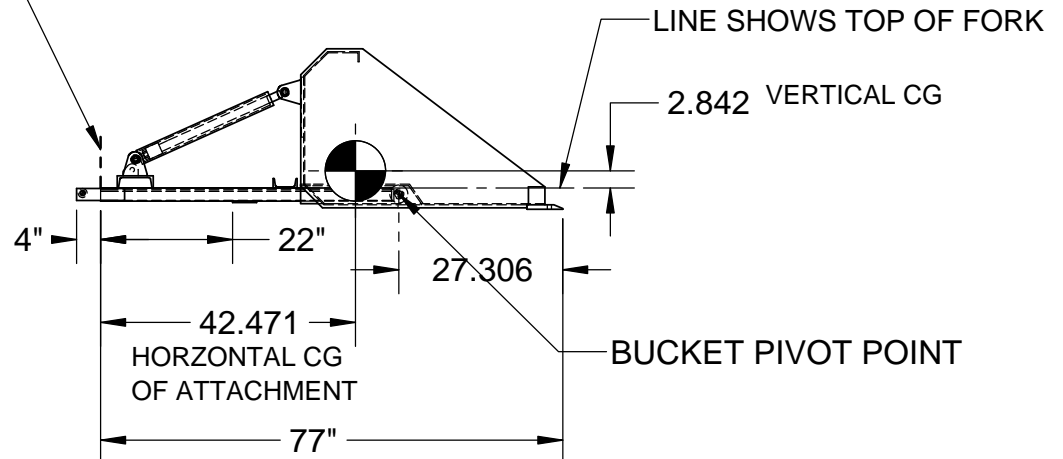
FORK PINS ARE INSTALLED WITH
HAIRS PINS BEHIND HEEL OF FORKS
TO SECURE ATTACHMENT TO FORKS.

LINE SHOWS FACE OF FORK BACK



CENTER TO CENTER
OF FORK POCKETS

74 ³/₈"



LINE SHOWS TOP OF FORK

2.842 VERTICAL CG

BUCKET PIVOT POINT

PROPRIETARY AND CONFIDENTIAL
THE INFORMATION CONTAINED IN THIS
DRAWING IS THE SOLE PROPERTY OF
<INSERT COMPANY NAME HERE>. ANY
REPRODUCTION IN PART OR AS A WHOLE
WITHOUT THE WRITTEN PERMISSION OF
<INSERT COMPANY NAME HERE> IS
PROHIBITED.

		UNLESS OTHERWISE SPECIFIED:	NAME	DATE
		DIMENSIONS ARE IN INCHES	DRAWN	PK
		TOLERANCES:	CHECKED	10/21/16
		FRACTIONAL ±	ENG APPR.	
		ANGULAR: MACH ± BEND ±	MFG APPR.	
		TWO PLACE DECIMAL ±	Q.A.	
		THREE PLACE DECIMAL ±	COMMENTS:	
		INTERPRET GEOMETRIC TOLERANCING PER:		
		MATERIAL		
NEXT ASSY	USED ON	FINISH		
APPLICATION		DO NOT SCALE DRAWING		

STAR INDUSTRIES

TITLE:
**1472SDH
72" HYD SELF DUMP
BUCKET**

SIZE A	DWG. NO. 1472SDH- DLR DWG	REV
------------------	------------------------------	-----

SCALE: 1:32	WEIGHT:	SHEET 1 OF 1
-------------	---------	--------------