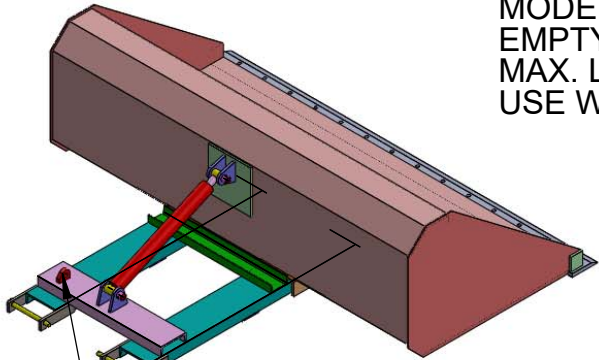
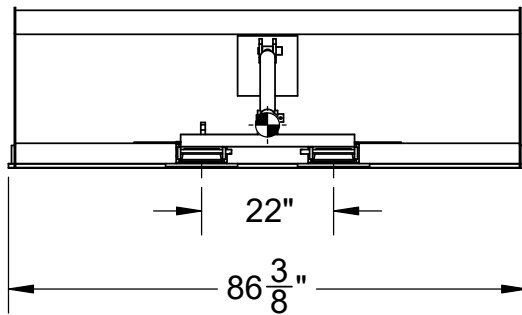
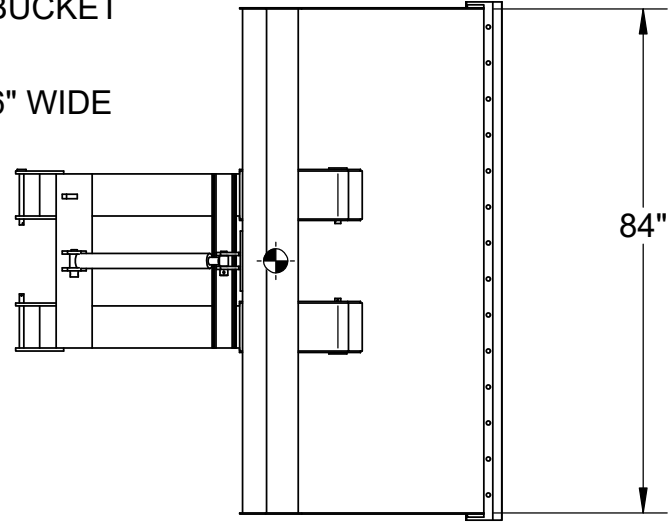


MODEL 1484SDH HYD SELF DUMP BUCKET
 EMPTY WEIGHT - 860 LBS.
 MAX. LOAD CAPACITY - 3500 LBS
 USE WITH 48' LONG FORKS UP TO 6" WIDE



HYDRAULIC SUPPLY HOSES INCLUDED BUT NOT SHOWN.

SAFETY CHAIN WITH LOCKING GRAB HOOK INCLUDED BUT NOT SHOWN



FORK CHANNEL

BUCKET PIVOT POINT

VCG
4.185

26 3/4"

HCG
39.363

27.318

43 11/16"

49.705

77.011

PROPRIETARY AND CONFIDENTIAL
 THE INFORMATION CONTAINED IN THIS DRAWING IS THE SOLE PROPERTY OF <INSERT COMPANY NAME HERE>. ANY REPRODUCTION IN PART OR AS A WHOLE WITHOUT THE WRITTEN PERMISSION OF <INSERT COMPANY NAME HERE> IS PROHIBITED.

		UNLESS OTHERWISE SPECIFIED:		NAME	DATE
		DIMENSIONS ARE IN INCHES	DRAWN	PK	2/15/18
		TOLERANCES:	CHECKED		
		FRACTIONAL	ENG APPR.		
		ANGULAR: MACH BEND	MFG APPR.		
		TWO PLACE DECIMAL	Q.A.		
		THREE PLACE DECIMAL	COMMENTS:		
		INTERPRET GEOMETRIC TOLERANCING PER:			
		MATERIAL			
NEXT ASSY	USED ON	FINISH			
APPLICATION		DO NOT SCALE DRAWING			

STAR INDUSTRIES

TITLE:

MODEL 1484SDH 84" HYD
 1.0 CYD. SELF-DUMP BUCKET

SIZE
A

DWG. NO.
1484SDH - CG DWG

REV

SCALE: 1:32

WEIGHT:

SHEET 1 OF 1