

**LP22A-84T LOW PROFILE  
84" SKID-STEER BUCKET**

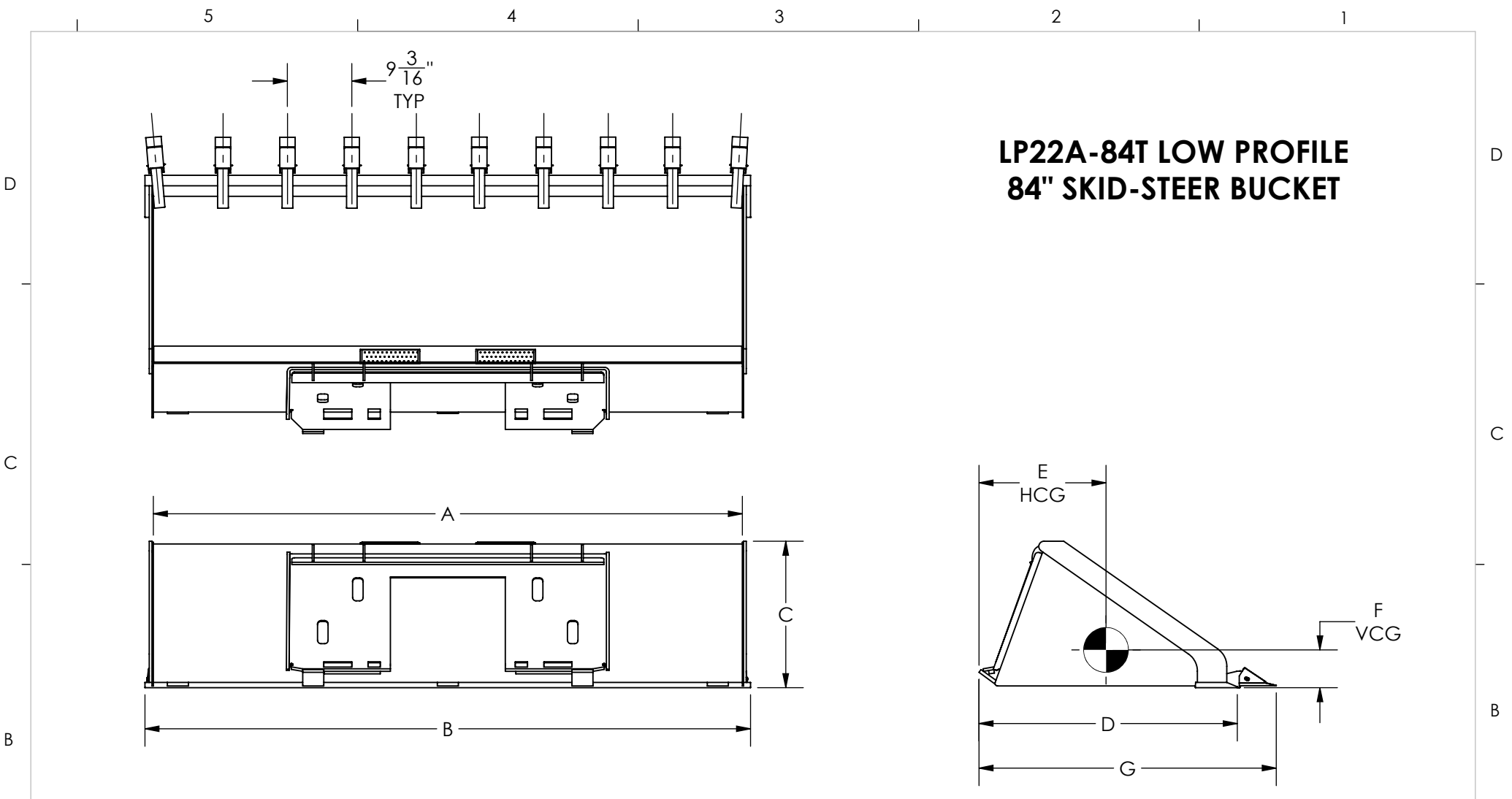
**PROPRIETARY AND CONFIDENTIAL**  
THE INFORMATION CONTAINED IN THIS DRAWING IS THE SOLE PROPERTY OF STAR INDUSTRIES. ANY REPRODUCTION IN PART OR AS A WHOLE WITHOUT THE WRITTEN PERMISSION OF STAR INDUSTRIES IS PROHIBITED.

UNLESS OTHERWISE SPECIFIED:	NAME	DATE
DIMENSIONS ARE IN INCHES	DRAWN	HI-TECH 12/23/2019
TOLERANCES: $\pm 1/16$	CHECKED	
FRACTIONAL $\pm$	ENG APPR.	
ANGULAR: MACH $\pm$ BEND $\pm$	MFG APPR.	
TWO PLACE DECIMAL $\pm$	Q.A.	
THREE PLACE DECIMAL $\pm$	COMMENTS:	
INTERPRET GEOMETRIC TOLERANCING PER:		
MATERIAL REFER PARTS DETAILS		
FINISH		
DO NOT SCALE DRAWING		



TITLE:  
**LP22A-84T LOW PROFILE  
84" SKID-STEER BUCKET**

SIZE <b>A</b>	DWG. NO. LP22A-84T-DLR	REV <b>0</b>
SCALE: 1:10	WEIGHT: 648.05 LBS	SHEET 1 OF 2



**LP22A-84T LOW PROFILE  
84" SKID-STEER BUCKET**

MODEL NO	A	B	C	D	E	F	G	HEAPED CAPACITY (CYD)	EMPTY WEIGHT
LP22A-84T	84"	86 3/8"	20 7/8"	36 13/16"	18 1/8"	5 3/8"	42 3/8"	13.71	648.05 LBS

SIZE <b>A</b>	DWG. NO. LP22A-84T-DLR	REV <b>0</b>
SCALE: 1:20	WEIGHT: 648.05 LBS	SHEET 2 OF 2