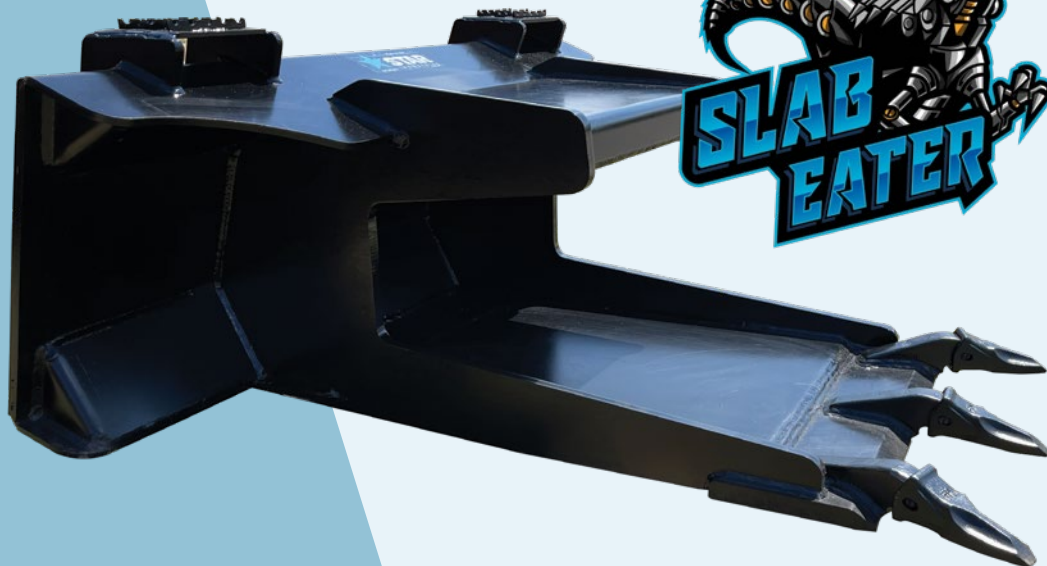




SLAB EATER



Star Industries heavy-duty concrete claw is designed to eat through concrete slabs with ease. Slab Eater can pry, cut, tear and rip its way through almost anything, making it the perfect attachment for any demolition job.

- Pry, cuts, tears and rips its way through almost anything
- Leaves more of the slab intact, making it easier to carry the slab away
- Speeds up concrete and general demolition work including tree stumps



4101 Garland Drive Fort Worth TX 76117
Phone | 817-485-6073 Fax | 817-428-6008
USA & Canada Toll Free 800-541-1797

www.starindustries.com
Operating Manual and Safety
Information available online.

QUICK TACH FITS ALL POPULAR MODELS

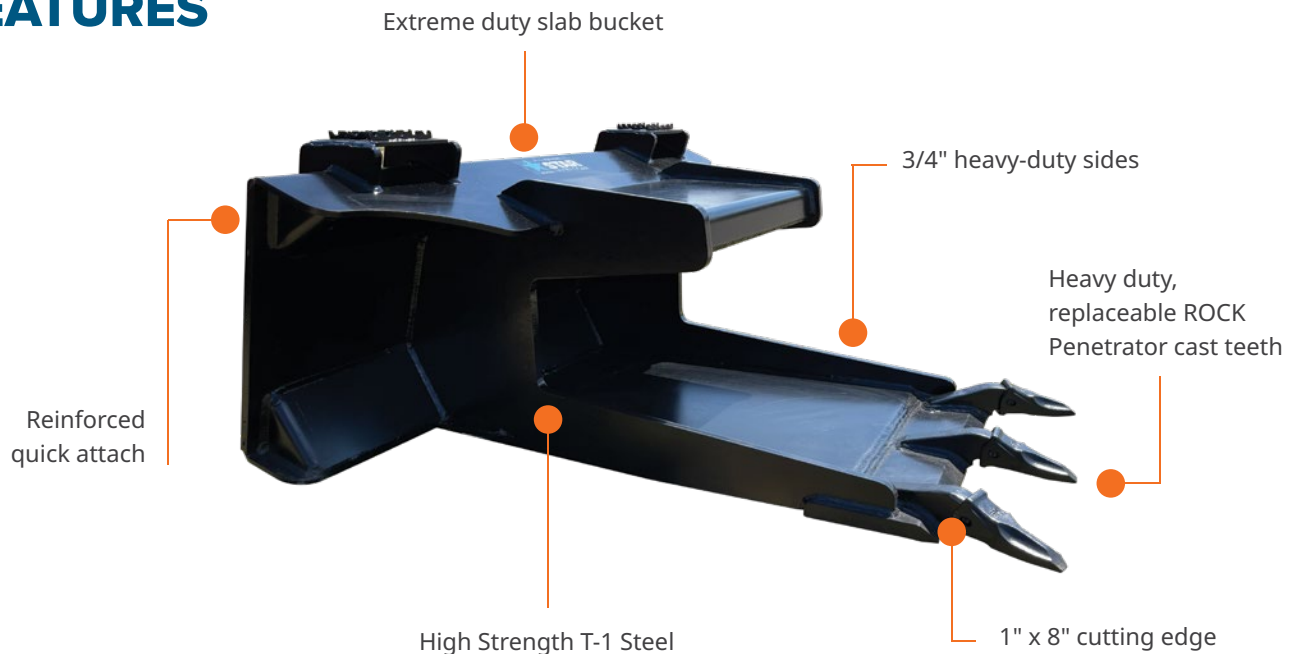


The claws have been designed in consultation with industry to get under concrete slabs and tear them out while leaving as much of the slab intact as possible. This helps to speed up concrete demolition work with less mess and small debris on the worksite.

Built for extreme, heavy-duty demo work, Slab Eater features a reinforced quick attach plate, 3/4" sides, and a reinforced cutting edge. Strong, ROCK Penetrator teeth ensure durable, reliable operation and are easily replaceable when finally worn out.



FEATURES



4101 Garland Drive Fort Worth TX 76117
Phone | 817-485-6073 Fax | 817-428-6008
USA & Canada Toll Free 800-541-1797

www.starindustries.com
Operating Manual and Safety
Information available online.