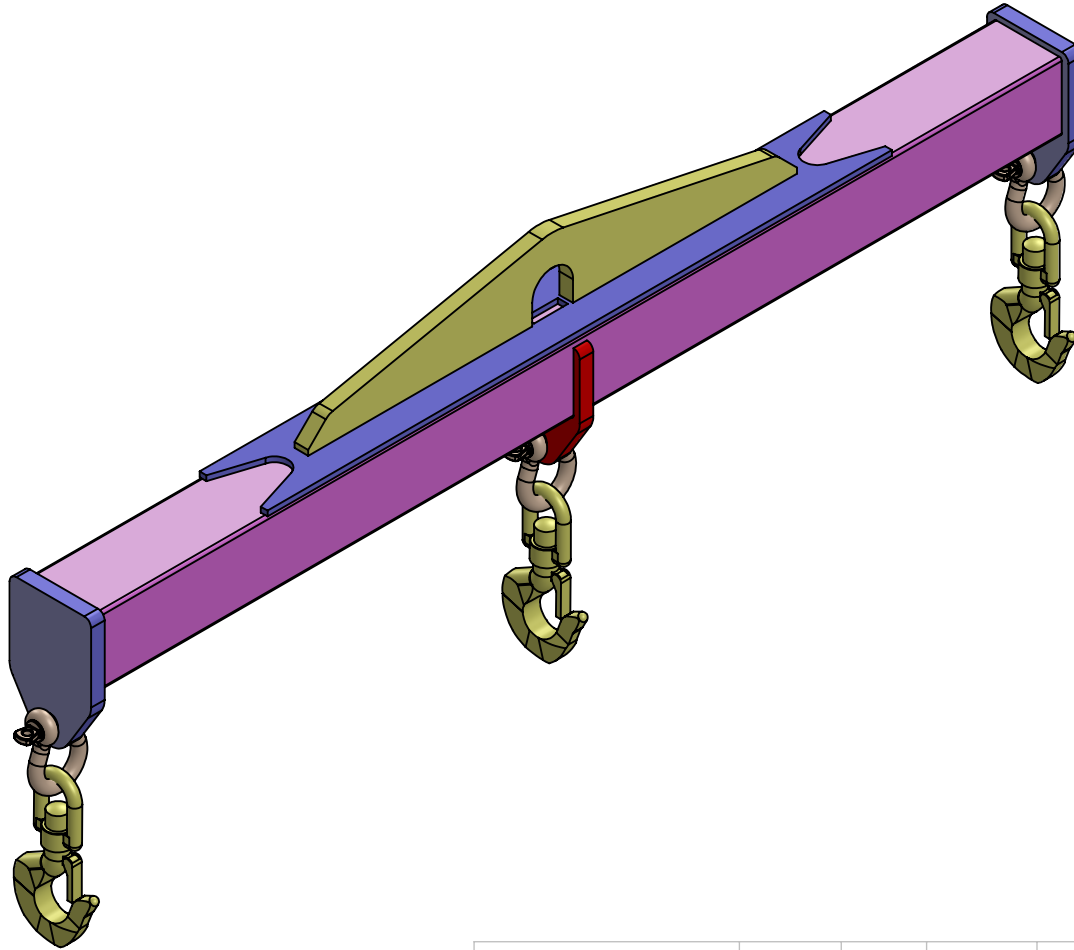


1142



PROPRIETARY AND CONFIDENTIAL
 THE INFORMATION CONTAINED IN THIS DRAWING IS THE SOLE PROPERTY OF STAR INDUSTRIES. ANY REPRODUCTION IN PART OR AS A WHOLE WITHOUT THE WRITTEN PERMISSION OF STAR INDUSTRIES IS PROHIBITED.

UNLESS OTHERWISE SPECIFIED:

DIMENSIONS ARE IN INCHES
 TOLERANCES: $\pm 1/16$
 FRACTIONAL \pm
 ANGULAR: MACH \pm BEND \pm
 TWO PLACE DECIMAL \pm
 THREE PLACE DECIMAL \pm

INTERPRET GEOMETRIC TOLERANCING PER:

MATERIAL REFER PARTS DETAILS
 FINISH

DO NOT SCALE DRAWING

	NAME	DATE
DRAWN	HI-TECH	10/7/2019
CHECKED		
ENG APPR.		
MFG APPR.		
Q.A.		

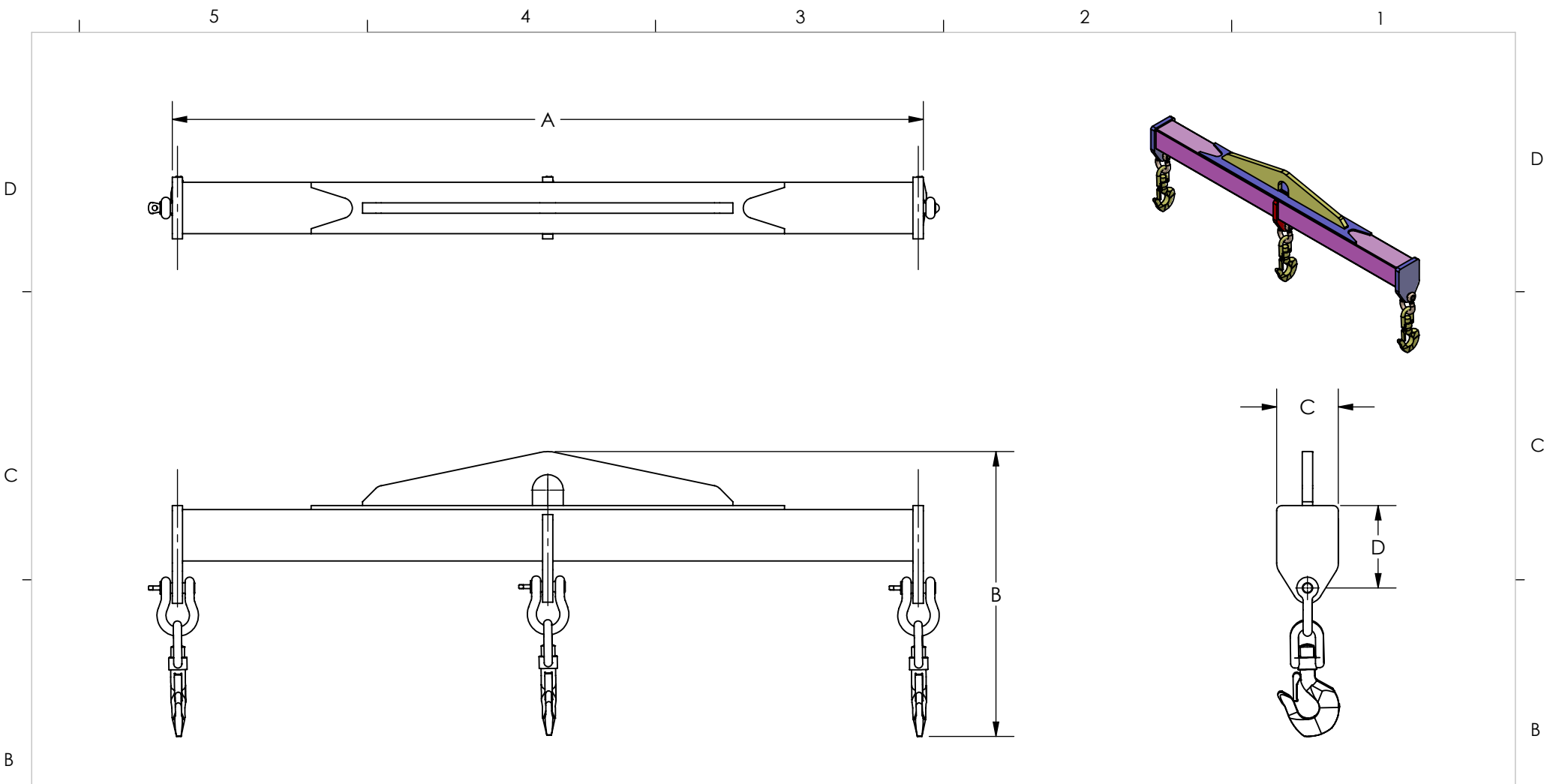
COMMENTS:



STAR INDUSTRIES

TITLE:
 6 FT FIXED LENGTH 10K SPREADER BAR

SIZE A	DWG. NO. 1142-DLR	REV 0
SCALE: 1:10	WEIGHT: 207.08 LBS	SHEET 1 OF 2



MODEL NO.	A	B	C	D	MAX LOAD (LBS.)		BOLTED SHACKLES	SWIVEL HOOKS W/LATCHES
					CENTER HOOK USED ALONE	USING TWO END HOOKS OR ALL 3 HOOKS		
1142	73"	27 11/16"	6"	8"	-	-	3/4"- 7 TON	5 TON

SIZE A	DWG. NO. 1142-DLR	REV 0
SCALE: 1:14	WEIGHT: 207.08 LBS	SHEET 2 OF 2