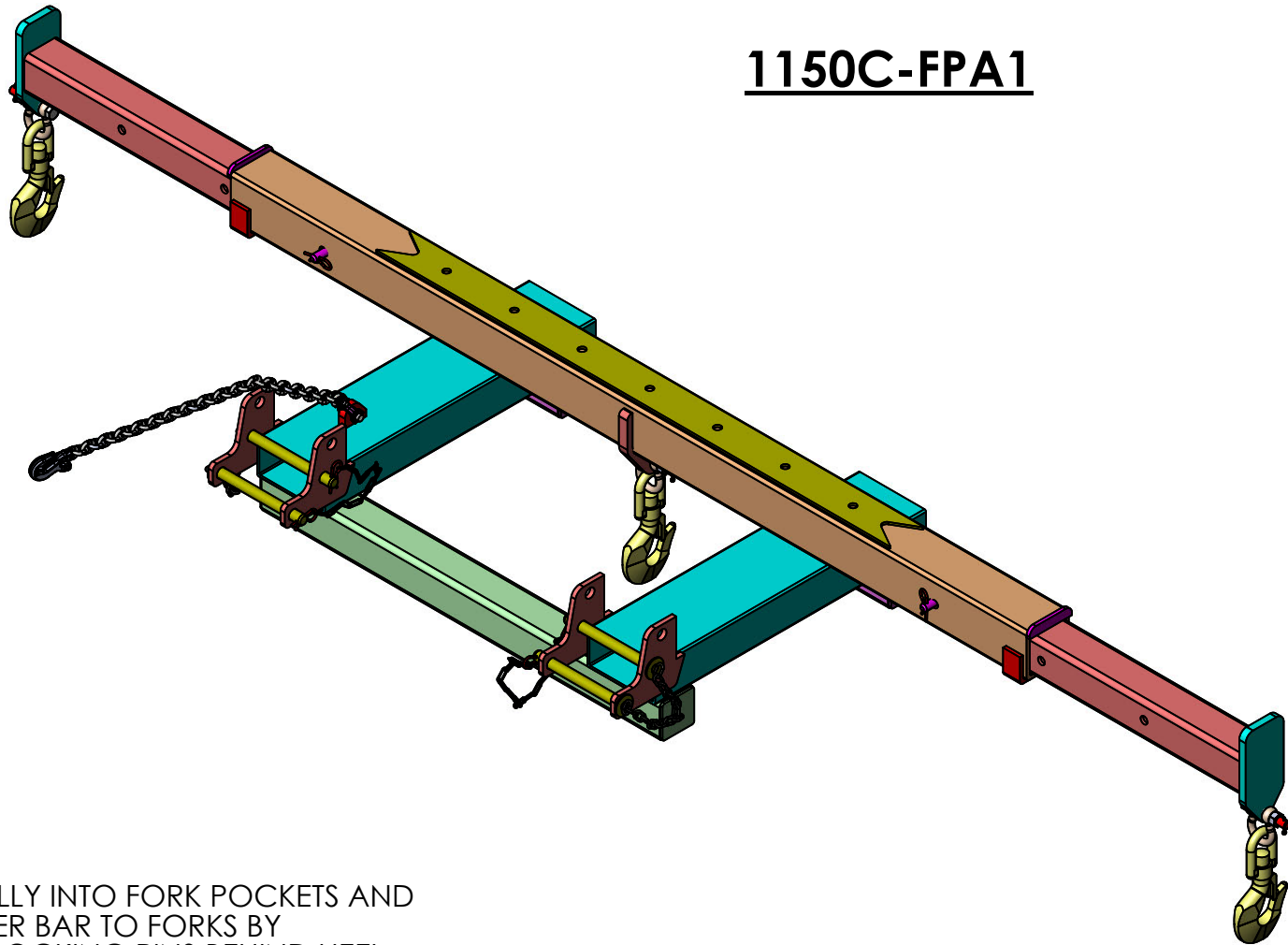


1150C-FPA1



INSTALLATION:
 INSERT FORKS FULLY INTO FORK POCKETS AND SECURE SPREADER BAR TO FORKS BY INSTALLING THE LOCKING PINS BEHIND HEEL OF EACH FORK. SECURE LOCKING PINS WITH HAIR PINS. IN ADDITION WRAP SAFETY CHAIN AROUND A STRONG PART OF CARRIAGE TAKING UP THE SLACK, SECURE BY HOOKING LOCKING GRAB HOOK ONTO CHAIN.

PROPRIETARY AND CONFIDENTIAL
 THE INFORMATION CONTAINED IN THIS DRAWING IS THE SOLE PROPERTY OF STAR INDUSTRIES. ANY REPRODUCTION IN PART OR AS A WHOLE WITHOUT THE WRITTEN PERMISSION OF STAR INDUSTRIES IS PROHIBITED.

UNLESS OTHERWISE SPECIFIED:

DIMENSIONS ARE IN INCHES
 TOLERANCES: $\pm 1/16$
 FRACTIONAL \pm
 ANGULAR: MACH \pm BEND \pm
 TWO PLACE DECIMAL \pm
 THREE PLACE DECIMAL \pm

INTERPRET GEOMETRIC TOLERANCING PER:

MATERIAL
 REFER PARTS DETAILS
 FINISH

DO NOT SCALE DRAWING

	NAME	DATE
DRAWN	HI-TECH	4/16/2019
CHECKED		
ENG APPR.		
MFG APPR.		
Q.A.		

COMMENTS:



STAR INDUSTRIES

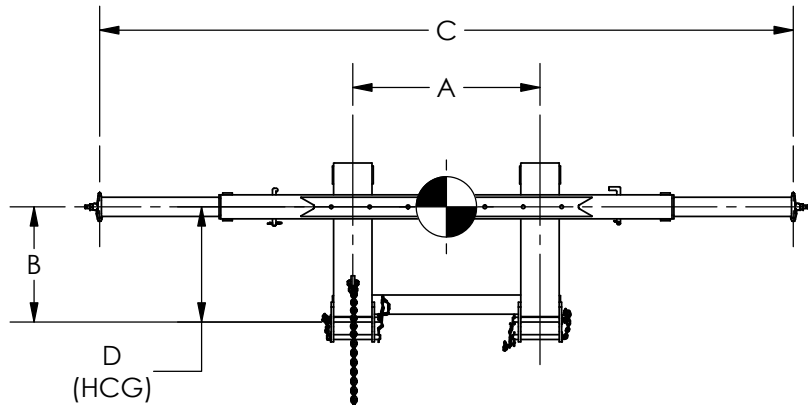
TITLE:

1150C-FPA1

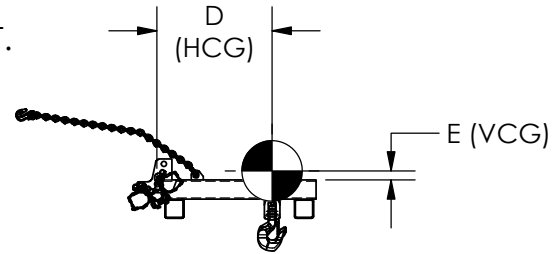
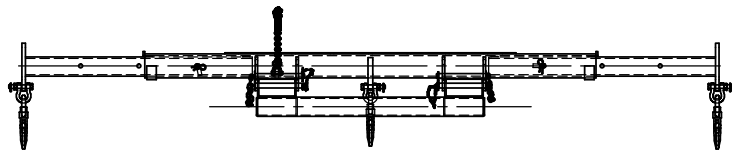
SIZE A	DWG. NO. 1150C-FPA1 DLR	REV 0
SCALE: 1:15	WEIGHT: 580.42 LBS	SHEET 1 OF 2

1150C-FPA1

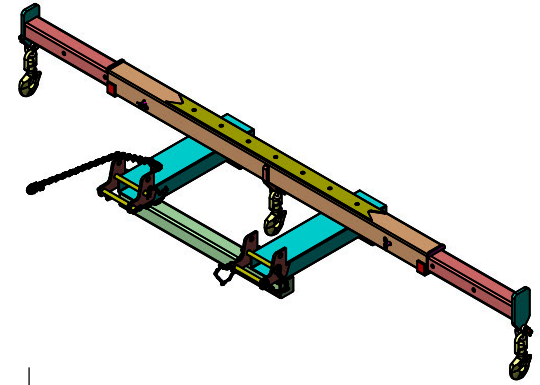
FORK POCKETS ACCEPT FORKS UP TO 2.5" THICK AND UP TO 7" WIDE



SHOWN FULLY EXTENDED.
EXTENDS FROM 8 FT. TO 10 FT. TO 12 FT.



NOTE: CG IS MEASURED FROM TOP OF FORK BLADE
AND FROM FACE OF FORK UPRIGH



MODEL NO.	A	B	C	D	E	MAX LOAD (LBS.)				BOLTED SHACKLES	SWIVEL HOOKS W/LATCHES
						CENTER HOOK USED ALONE	FULLY RETRACTED	MID EXTENSION	FULL EXTENSION		
1150C-FPA1	39"	24"	144"	24"	2 1/8"	6000	8000	6400	5000	5/8"- 3 TON	3 TON

CAUTION; USE FOR VERTICAL LIFT ONLY -
DO NOT USE TO PULL A LOAD.

PROPRIETARY AND CONFIDENTIAL
THE INFORMATION CONTAINED IN THIS DRAWING IS THE SOLE PROPERTY OF STAR INDUSTRIES. ANY REPRODUCTION IN PART OR AS A WHOLE WITHOUT THE WRITTEN PERMISSION OF STAR INDUSTRIES IS PROHIBITED.

UNLESS OTHERWISE SPECIFIED:

DIMENSIONS ARE IN INCHES
TOLERANCES: $\pm 1/16$
FRACTIONAL \pm
ANGULAR: MACH \pm BEND \pm
TWO PLACE DECIMAL \pm
THREE PLACE DECIMAL \pm

INTERPRET GEOMETRIC TOLERANCING PER:

MATERIAL
REFER PARTS DETAILS

FINISH

DO NOT SCALE DRAWING

	NAME	DATE
DRAWN	HI-TECH	4/16/2019
CHECKED		
ENG APPR.		
MFG APPR.		
Q.A.		

COMMENTS:



STAR INDUSTRIES

TITLE:

1150C-FPA1

SIZE	DWG. NO.	REV
A	1150C-FPA1 DLR	0

SCALE: 1:40 | WEIGHT: 580.42 LBS | SHEET 2 OF 2