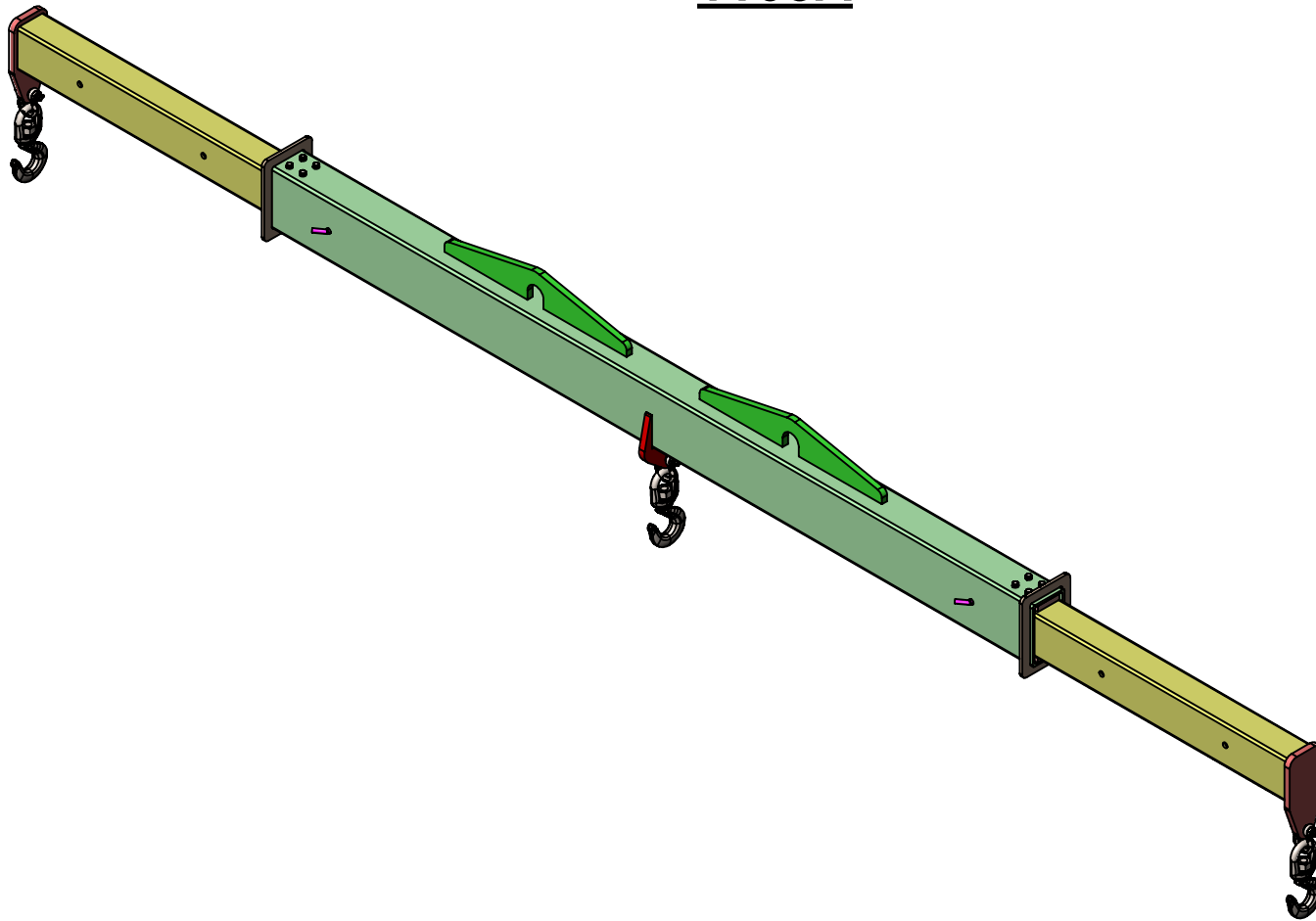


1160A



PROPRIETARY AND CONFIDENTIAL
 THE INFORMATION CONTAINED IN THIS DRAWING IS THE SOLE PROPERTY OF STAR INDUSTRIES. ANY REPRODUCTION IN PART OR AS A WHOLE WITHOUT THE WRITTEN PERMISSION OF STAR INDUSTRIES IS PROHIBITED.

UNLESS OTHERWISE SPECIFIED:

DIMENSIONS ARE IN INCHES
 TOLERANCES: $\pm 1/16$
 FRACTIONAL \pm
 ANGULAR: MACH \pm BEND \pm
 TWO PLACE DECIMAL \pm
 THREE PLACE DECIMAL \pm

INTERPRET GEOMETRIC TOLERANCING PER:

MATERIAL
 REFER PARTS DETAILS
 FINISH

DO NOT SCALE DRAWING

	NAME	DATE
DRAWN	HI-TECH	10/10/2019
CHECKED		
ENG APPR.		
MFG APPR.		
Q.A.		
COMMENTS:		

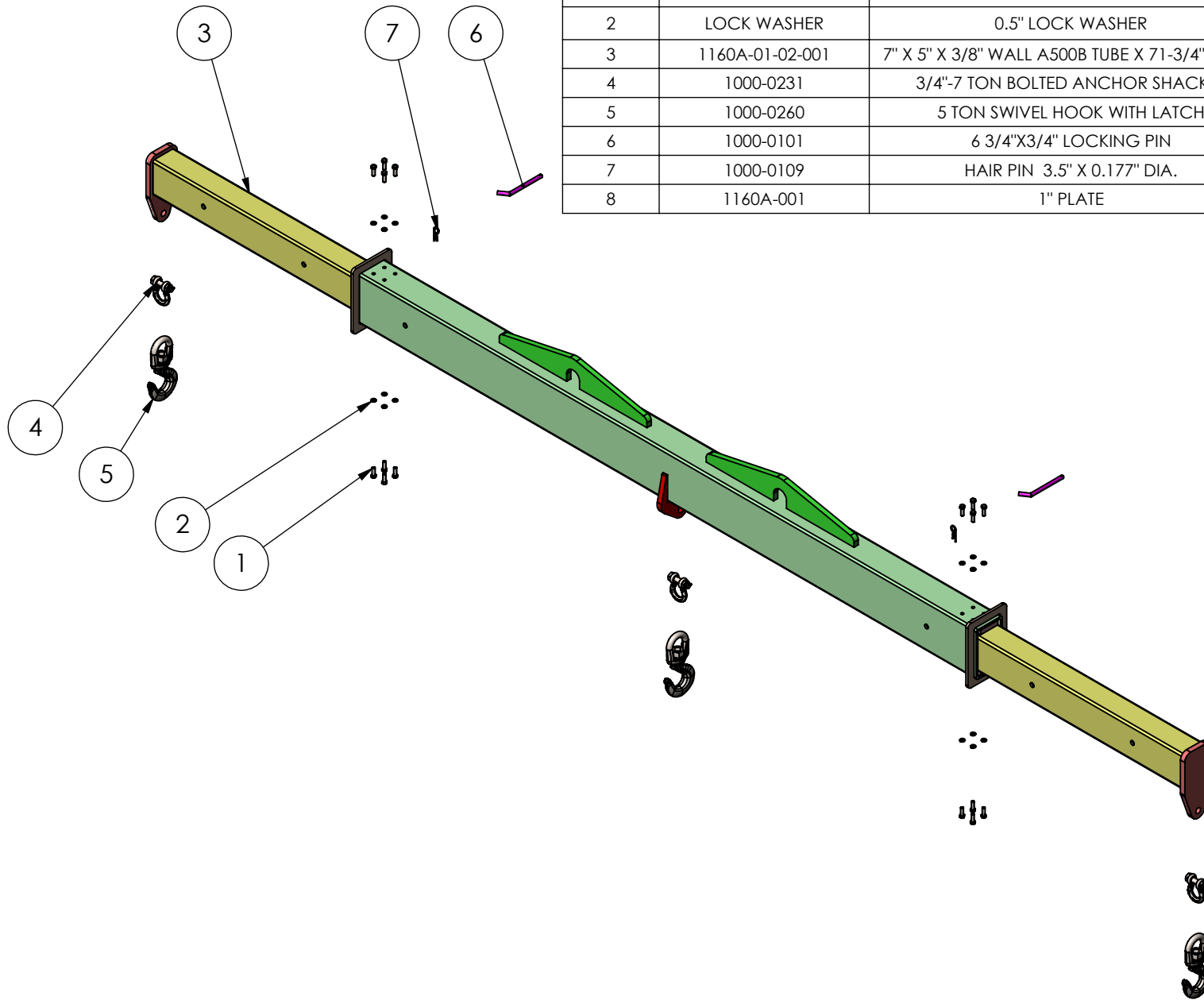


STAR INDUSTRIES

TITLE:
 EXTENDS 12FT - 16 FT - 20 FT -
 CAP 16.8K - 11.2K - 8K

SIZE A	DWG. NO. 1160A-REPLACEABLE PARTS	REV 0
SCALE: 1:25	WEIGHT: 1008.93 LBS	SHEET 1 OF 2

ITEM NO.	PART NUMBER	DESCRIPTION	MATERIAL	QTY
1	HEX BOLT	0.5" HEX BOLT	STEEL	16
2	LOCK WASHER	0.5" LOCK WASHER	STEEL	16
3	1160A-01-02-001	7" X 5" X 3/8" WALL A500B TUBE X 71-3/4" LONG	ASTM A36 STEEL	1
4	1000-0231	3/4"-7 TON BOLTED ANCHOR SHACKLE	ALLOY STEEL	3
5	1000-0260	5 TON SWIVEL HOOK WITH LATCH	ALLOY STEEL	3
6	1000-0101	6 3/4"X3/4" LOCKING PIN	ASTM A36 STEEL	2
7	1000-0109	HAIR PIN 3.5" X 0.177" DIA.	ASTM A36 STEEL	2
8	1160A-001	1" PLATE	A514 GR B PLATE	2



SIZE A	DWG. NO. 1160A-REPLACEABLE PARTS	REV 0
SCALE: 1:25	WEIGHT: 1008.93 LBS	SHEET 2 OF 2