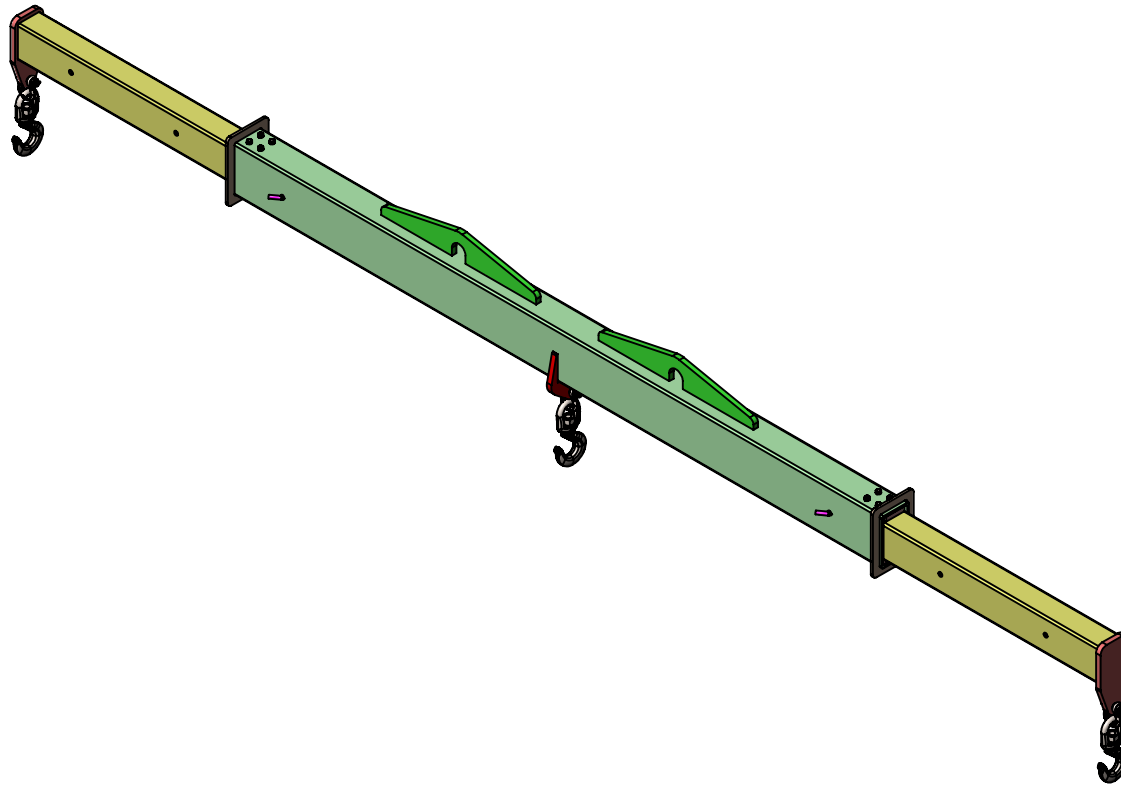


# 1160A



**PROPRIETARY AND CONFIDENTIAL**  
 THE INFORMATION CONTAINED IN THIS DRAWING IS THE SOLE PROPERTY OF STAR INDUSTRIES. ANY REPRODUCTION IN PART OR AS A WHOLE WITHOUT THE WRITTEN PERMISSION OF STAR INDUSTRIES IS PROHIBITED.

UNLESS OTHERWISE SPECIFIED:  
 DIMENSIONS ARE IN INCHES  
 TOLERANCES:  $\pm 1/16$   
 FRACTIONAL  $\pm$   
 ANGULAR: MACH  $\pm$  BEND  $\pm$   
 TWO PLACE DECIMAL  $\pm$   
 THREE PLACE DECIMAL  $\pm$

INTERPRET GEOMETRIC TOLERANCING PER:  
 MATERIAL REFER PARTS DETAILS  
 FINISH

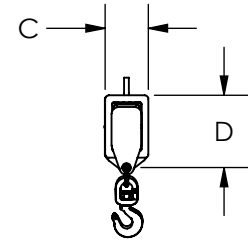
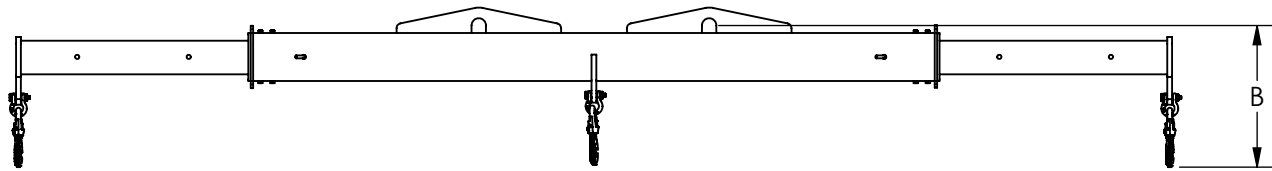
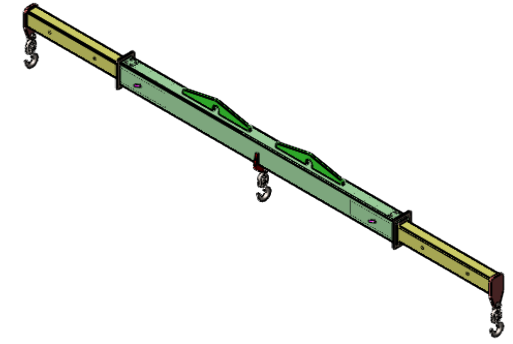
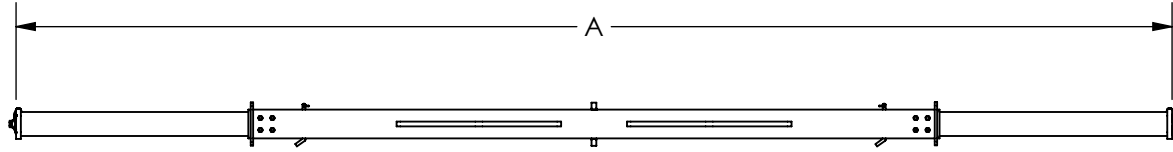
DO NOT SCALE DRAWING

	NAME	DATE
DRAWN	HI-TECH	10/10/2019
CHECKED		
ENG APPR.		
MFG APPR.		
Q.A.		
COMMENTS:		



**TITLE:**  
 EXTENDS 12FT - 16 FT - 20 FT  
 - CAP 16.8K - 11.2K - 8K

SIZE <b>A</b>	DWG. NO. 1160A-DLR	REV <b>0</b>
SCALE: 1:30	WEIGHT: 1008.93LBS	SHEET 1 OF 2



MODEL NO.	A	B	C	D	MAX LOAD (LBS.)			BOLTED SHACKLES	SWIVEL HOOKS W/LATCHES
					FULLY RETRACTED	MID EXTENSION	FULL EXTENSION		
<b>1160A1160A</b>	<b>240 7/8"</b>	<b>29 1/2"</b>	<b>9"</b>	<b>15 1/16"</b>	-	-	-	<b>3/4"- 7 TON</b>	<b>5 TON</b>

SIZE <b>A</b>	DWG. NO. 1160A-DLR	REV <b>0</b>
SCALE: 1:40	WEIGHT: 1008.93 LBS	SHEET 2 OF 2