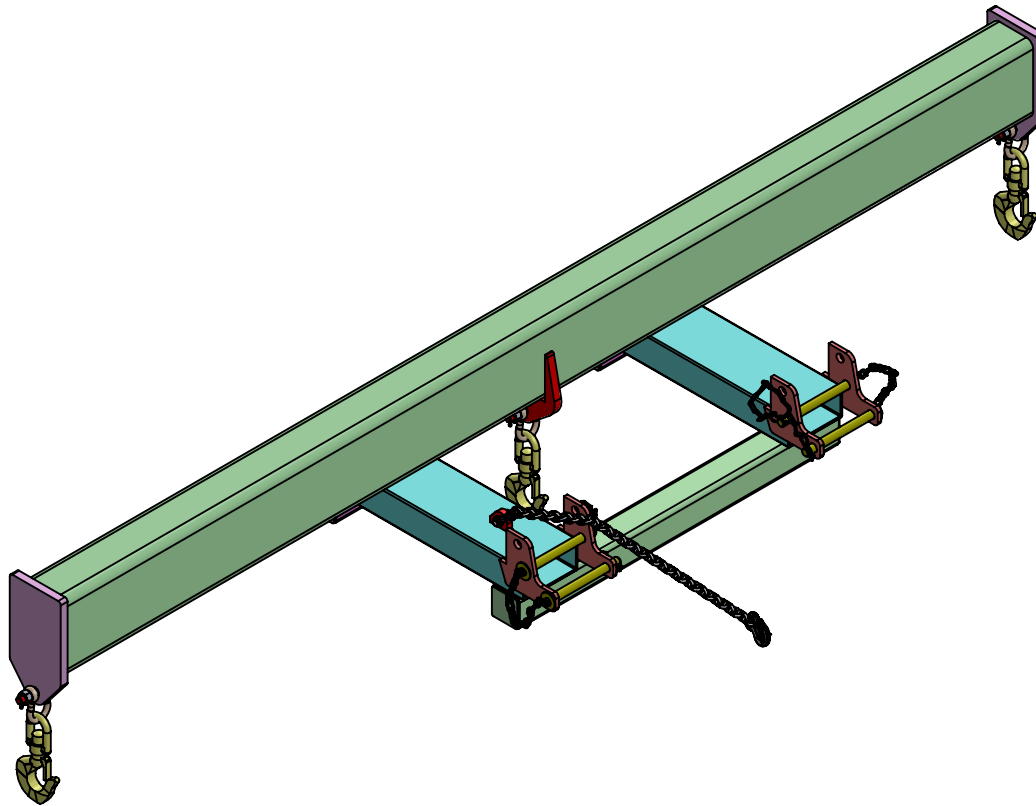



1177B-FPA1



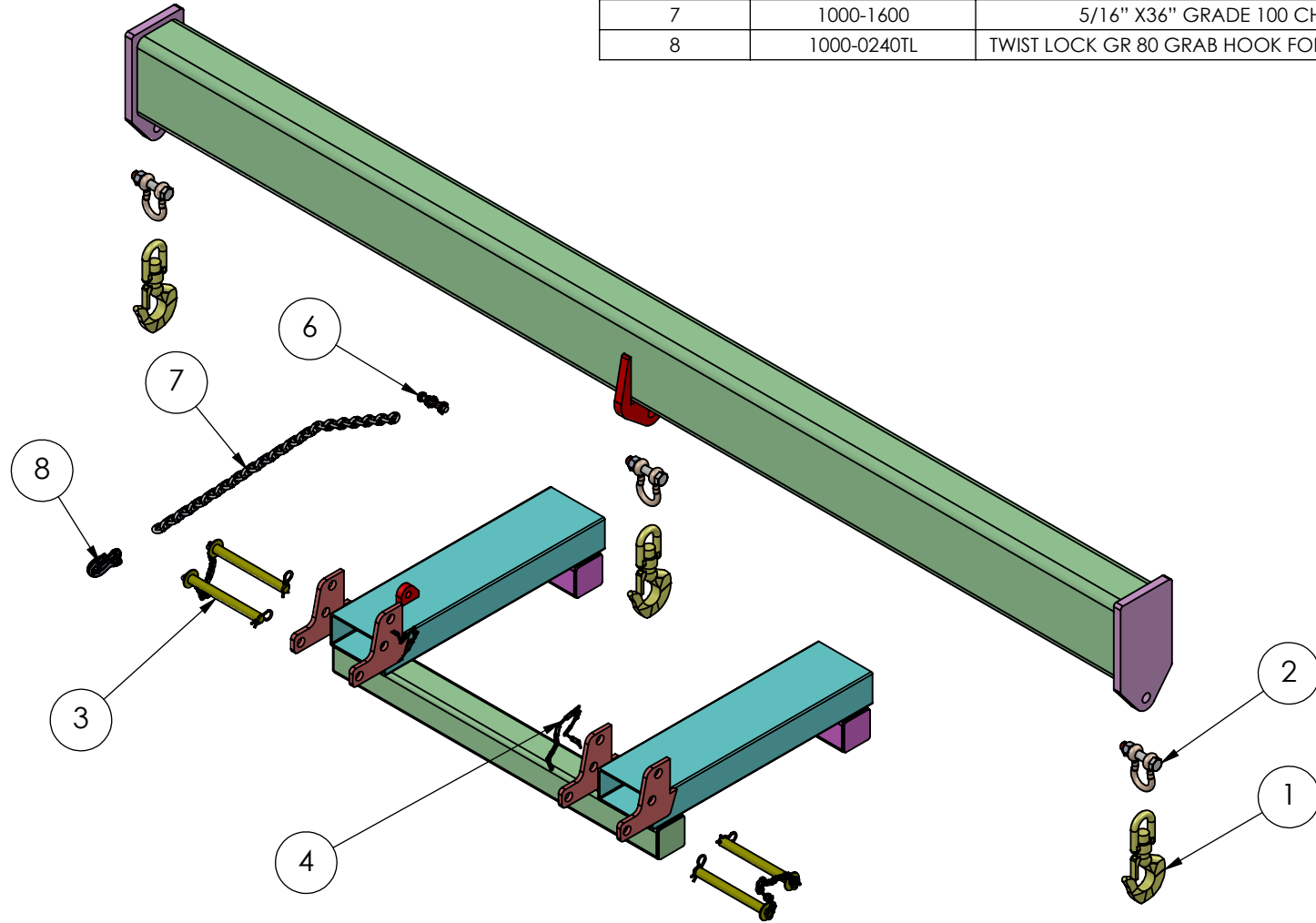
PROPRIETARY AND CONFIDENTIAL
 THE INFORMATION CONTAINED IN THIS DRAWING IS THE SOLE PROPERTY OF STAR INDUSTRIES. ANY REPRODUCTION IN PART OR AS A WHOLE WITHOUT THE WRITTEN PERMISSION OF STAR INDUSTRIES IS PROHIBITED.

UNLESS OTHERWISE SPECIFIED:		NAME	DATE
DIMENSIONS ARE IN INCHES	DRAWN	HI-TECH	4/18/2019
TOLERANCES: $\pm 1/16$	CHECKED		
FRACTIONAL \pm	ENG APPR.		
ANGULAR: MACH \pm BEND \pm	MFG APPR.		
TWO PLACE DECIMAL \pm	Q.A.		
THREE PLACE DECIMAL \pm	COMMENTS:		
INTERPRET GEOMETRIC TOLERANCING PER:			
MATERIAL REFER PARTS DETAILS			
FINISH			
DO NOT SCALE DRAWING			

 STAR INDUSTRIES		
TITLE:		
1177B-FPA1		
SIZE	DWG. NO.	REV
A	1177B-FPA1 DLR - REPLACABLE PARTS	0
SCALE: 1:20	WEIGHT: 740 LBS	SHEET 1 OF 2

Note:- Item number 5 (Safety chain assembly)
is combination of items 6,7& 8.

ITEM NO.	PART NUMBER	DESCRIPTION	QTY.
1	1000-0260	5 TON SWVL HOOK W/LATCH	3
2	1000-0231	3/4" - 7 TON BOLTED ANCHOR SHACKLE	3
3	1000-0108DBL	DUAL 10 1/4" X 1" LOCKING PINS W/CHAINS	2
4	1000-0204A	#4 STRAIGHT LINK CHAIN	2
5	1000-0115	SAFETY CHAIN ASSEMBLY WITH CLEVIS LINK	1
6	1000-0225	5/16-3/8 DOUBLE CLEVIS LINK S247 5400 LB CAP	1
7	1000-1600	5/16" X36" GRADE 100 CHAIN	1
8	1000-0240TL	TWIST LOCK GR 80 GRAB HOOK FOR 5/16" CHAIN	1



SIZE A	DWG. NO. 1177B-FPA1 DLR - REPLACABLE PARTS	REV 0
SCALE: 1:28	WEIGHT: 740 LBS	SHEET 2 OF 2