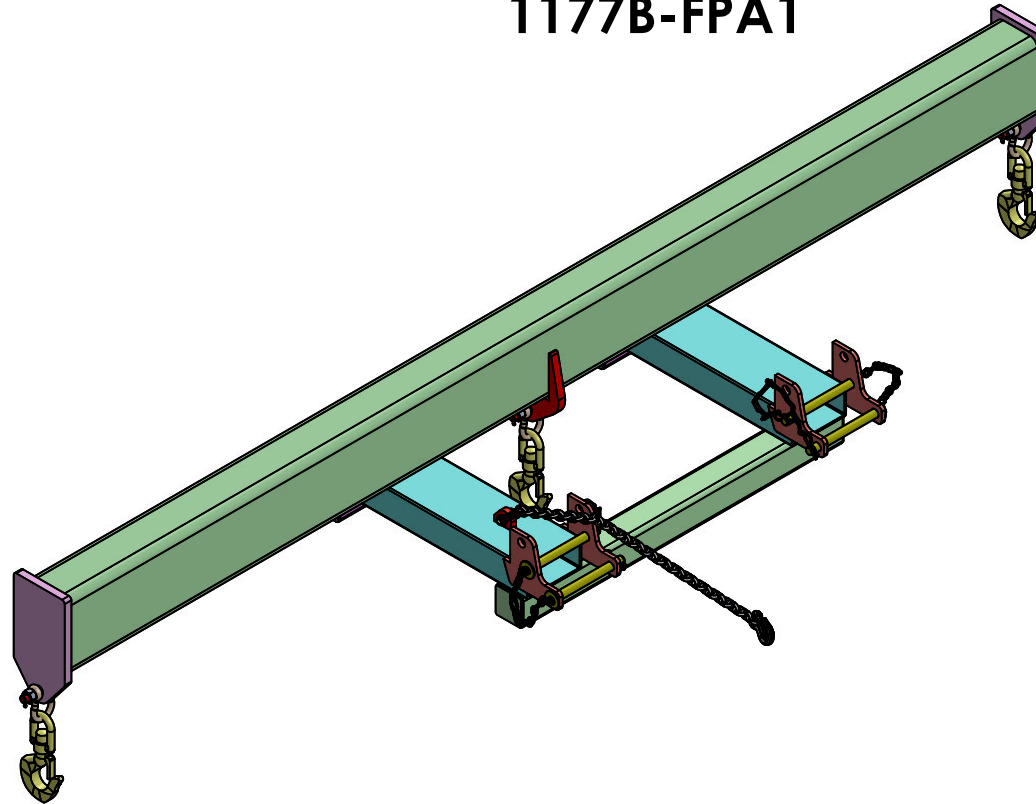


# 1177B-FPA1

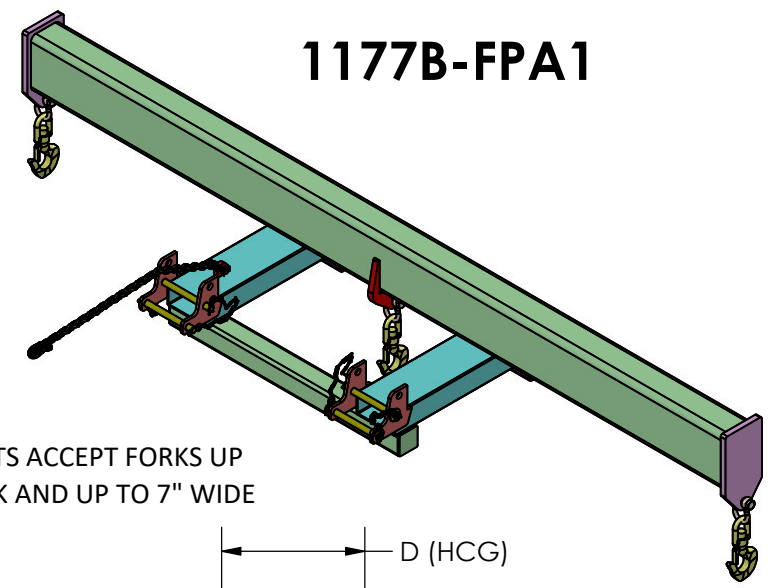
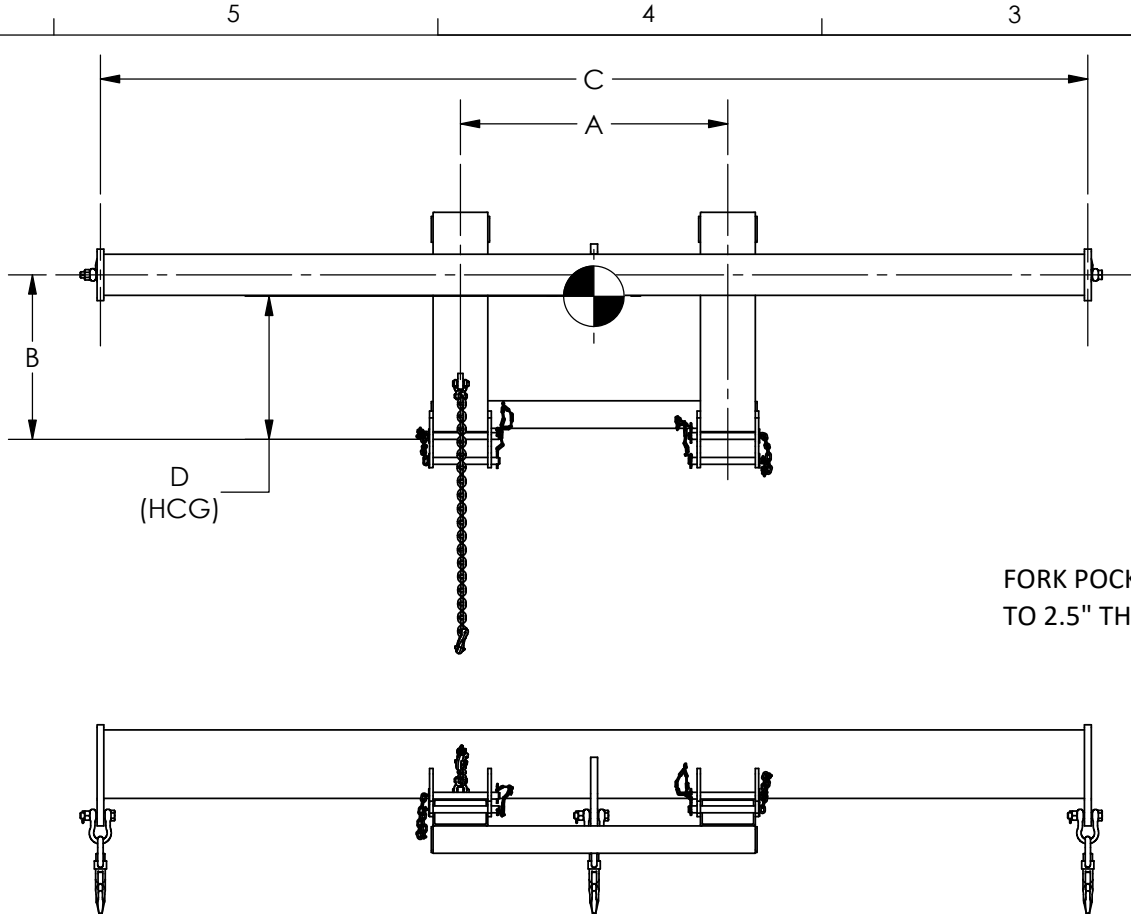


**INSTALLATION:**  
 INSERT FORKS FULLY INTO FORK POCKETS AND SECURE SPREADER BAR TO FORKS BY INSTALLING THE LOCKING PINS BEHIND HEEL OF EACH FORK. SECURE LOCKING PINS WITH HAIR PINS. IN ADDITION WRAP SAFETY CHAIN AROUND A STRONG PART OF CARRIAGE TAKING UP THE SLACK, SECURE BY HOOKING LOCKING GRAB HOOK ONTO CHAIN.

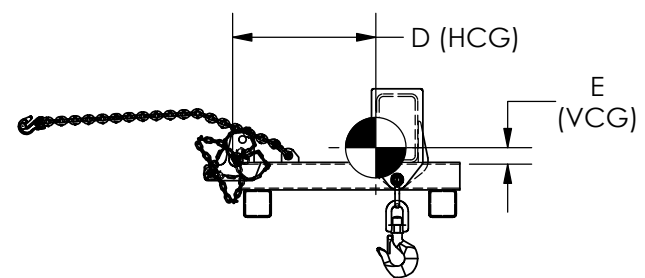
**PROPRIETARY AND CONFIDENTIAL**  
 THE INFORMATION CONTAINED IN THIS DRAWING IS THE SOLE PROPERTY OF STAR INDUSTRIES. ANY REPRODUCTION IN PART OR AS A WHOLE WITHOUT THE WRITTEN PERMISSION OF STAR INDUSTRIES IS PROHIBITED.

UNLESS OTHERWISE SPECIFIED:	NAME	DATE
DIMENSIONS ARE IN INCHES TOLERANCES: $\pm 1/16$ FRACTIONAL $\pm$ ANGULAR: MACH $\pm$ BEND $\pm$ TWO PLACE DECIMAL $\pm$ THREE PLACE DECIMAL $\pm$	DRAWN HI-TECH	4/17/2019
INTERPRET GEOMETRIC TOLERANCING PER:	CHECKED	
MATERIAL REFER PARTS DETAILS	ENG APPR.	
FINISH	MFG APPR.	
DO NOT SCALE DRAWING	Q.A.	
	COMMENTS:	

TITLE: 1177B-FPA1		
SIZE <b>A</b>	DWG. NO. 1177B-FPA1 DLR	REV <b>0</b>
SCALE: 1:20	WEIGHT: 740 LBS	SHEET 1 OF 2



FORK POCKETS ACCEPT FORKS UP TO 2.5" THICK AND UP TO 7" WIDE



NOTE: CG IS MEASURED FROM TOP OF FORK BLADE AND FROM FACE OF FORK UPRIGHT.

MODEL NO.	A	B	C	D	E	Max Load (lbs.)		Bolted Shackles	Swivel Hooks W/Latches
						Center Hook Used Alone	Using Two End Hooks or All 3 Hooks		
1177B-FPA1	39"	24"	144"	20 7/8"	2 3/8"	10000	20000	3/4" - 7 Ton	5 Ton

CAUTION; USE FOR VERTICAL LIFT ONLY - DO NOT USE TO PULL A LOAD.

SIZE <b>A</b>	DWG. NO. 1177B-FPA1 DLR	REV <b>0</b>
SCALE: 1:28	WEIGHT: 740 LBS	SHEET 2 OF 2