

QUICK TACH (QT) TRUSS BOOM



Save the cost of an expensive crane with a Star Industries Quick Tach (QT) Truss Boom. With a vertical reach of up to 15' and load capacity from 2,000 lbs to 22,000 lbs, the Star QT Truss Boom is ideal for metal building erection, setting wooden trusses, putting up post frame buildings and many more crane type jobs.

- Combine the lifting capability of a crane with the speed and maneuverability of an extendable reach forklift
- Suitable for use on most surfaces including muddy and rough job sites
- Built to last with fully welded, square tube construction for extra strength and durability



4101 Garland Drive Fort Worth TX 76117
Phone | 817-485-6073 Fax | 817-428-6008
USA & Canada Toll Free 800-541-1797

www.starindustries.com
Operating Manual and Safety
Information available online.

PRODUCT OPTIONS

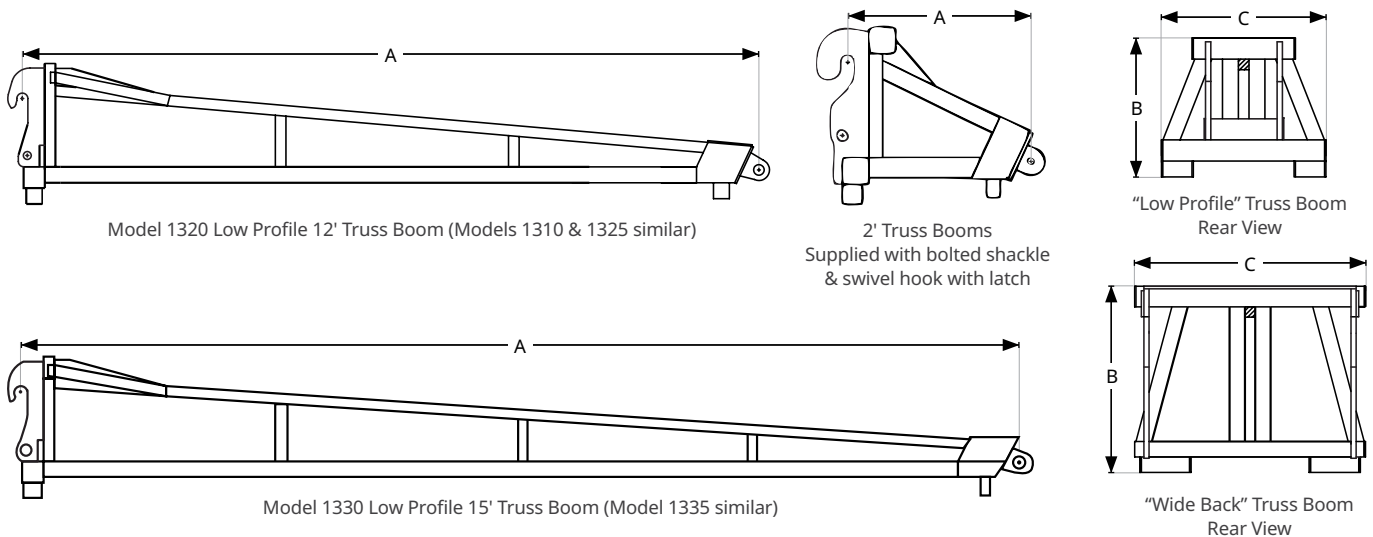
SPECIFICATIONS

Style	Model	A Effective Length	B Effective Height	C Back Width	Capacity	Empty Weight	Overall Length
Low Profile Truss Boom	1302	2'	26.5"	31"	10,000 lbs	± 335 lbs	2' 5"
	1302-12K	2'	26.5"	31"	12,000 lbs	± 341 lbs	2' 5"
	1303	2'	36"	40"	Up to 22,000 lbs	± 550 lbs	2' 5"
	1306	6'	32.9"	38.9"	5,000 lbs	± 670 lbs	6' 7"
	1310	10'	26.5"	31"	2,000 lbs	± 480 lbs	10' 5"
	1320	12'	26.5"	31"	2,000 lbs	± 560 lbs	12' 0"
	1330	15'	26.5"	31"	2,000 lbs	± 640 lbs	15' 5"
Wide Back Truss Boom	1325	12'	36"	45"	2,000 lbs	± 690 lbs	12' 4"
	1335	15'	36"	45"	2,000 lbs	± 795 lbs	15' 4"

The standard "Low Profile" Truss Boom is used with most forklift models except those that utilize an extra-wide quick-tach design.

JCB Q-Fit, Gehl DynacARRIER, Bobcat Versa Handler and Ingersoll-Rand models VR518, VR623, VR638 quick-tach designs require the "Wide Back".

Dimensions and empty weights will vary depending on which Quick-Tach is required. Above load ratings are for the truss boom only and do not reflect actual forklift load capabilities. Forklift make, model, quick-tach style and serial number may be required when ordering.



4101 Garland Drive Fort Worth TX 76117
 Phone | 817-485-6073 Fax | 817-428-6008
 USA & Canada Toll Free 800-541-1797

www.starindustries.com
 Operating Manual and Safety Information available online.