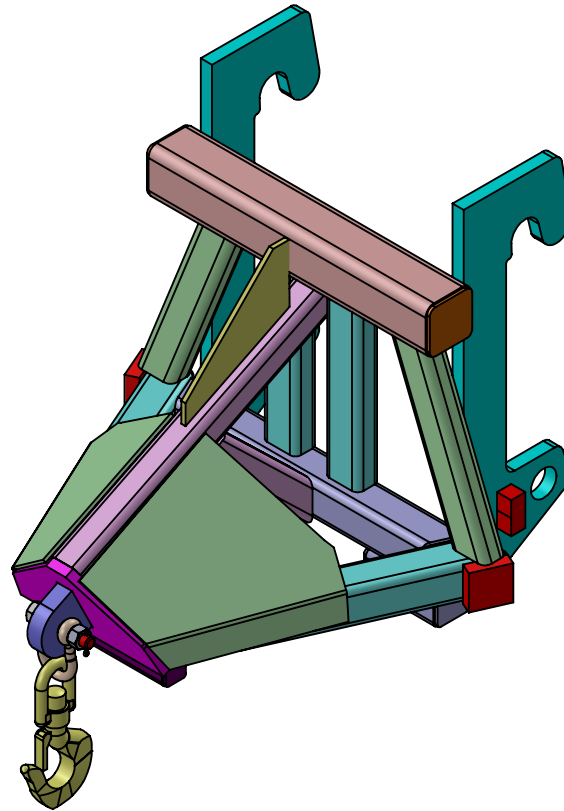


1302 TRUSS BOOM ASSEMBLY



PROPRIETARY AND CONFIDENTIAL
 THE INFORMATION CONTAINED IN THIS DRAWING IS THE SOLE PROPERTY OF STAR INDUSTRIES. ANY REPRODUCTION IN PART OR AS A WHOLE WITHOUT THE WRITTEN PERMISSION OF STAR INDUSTRIES IS PROHIBITED.

UNLESS OTHERWISE SPECIFIED:
 DIMENSIONS ARE IN INCHES
 TOLERANCES: $\pm 1/16$
 FRACTIONAL \pm
 ANGULAR: MACH \pm BEND \pm
 TWO PLACE DECIMAL \pm
 THREE PLACE DECIMAL \pm

INTERPRET GEOMETRIC TOLERANCING PER:
 MATERIAL REFER PARTS DETAILS
 FINISH

DO NOT SCALE DRAWING

	NAME	DATE
DRAWN	HI-TECH	8/9/2019
CHECKED		
ENG APPR.		
MFG APPR.		
Q.A.		

COMMENTS:

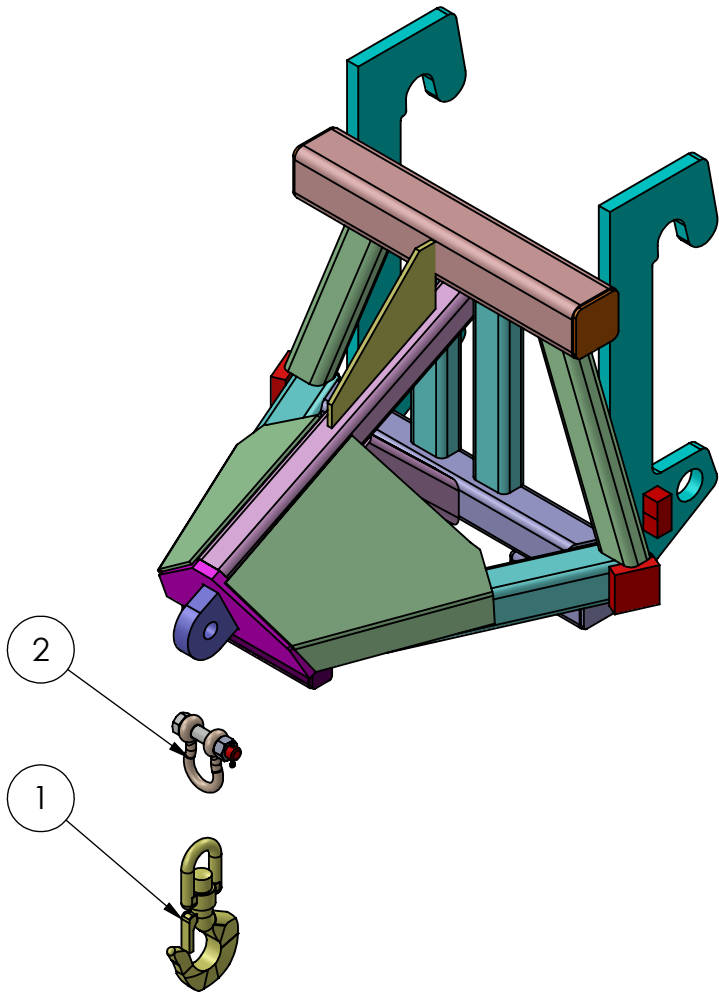


STAR INDUSTRIES

TITLE:
 1302 TRUSS BOOM ASSEMBLY

SIZE A	DWG. NO. 1302-REPLACEABLE PARTS	REV 0
SCALE: 1:12	WEIGHT: 315.84 LBS	SHEET 1 OF 2

ITEM NO.	PART NUMBER	DESCRIPTION	MATERIAL	QTY
1	1000-0260	5 TON SWVL HOOK W/LATCH	ALLOY STEEL	1
2	1000-0231	3/4" - 7 TON BOLTED ANCHOR SHACKLE	CARBON STEEL	1



1302 TRUSS BOOM ASSEMBLY

SIZE A	DWG. NO. 1302-REPLACEABLE PARTS	REV 0
SCALE: NTS	WEIGHT: 315.84 LBS	SHEET 2 OF 2