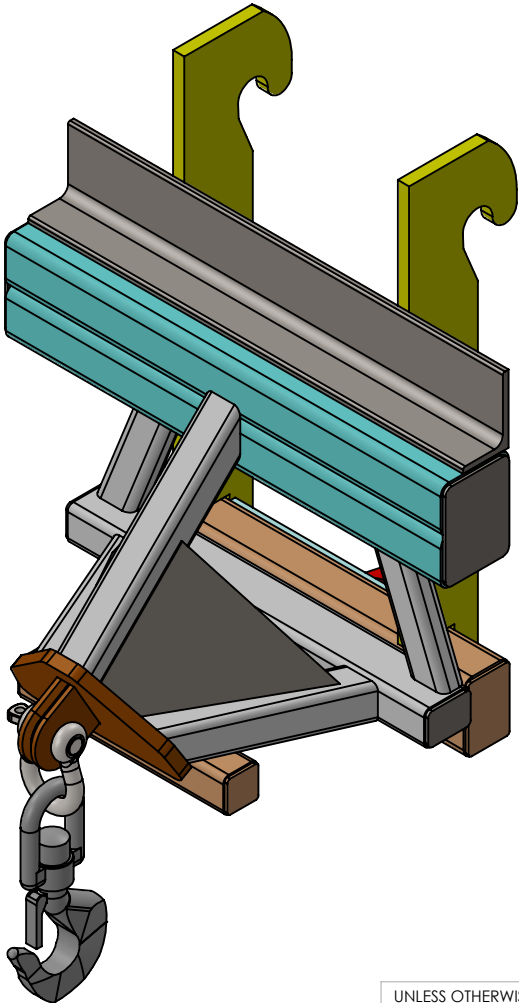


1303 TRUSS BOOM ASSEMBLY



PROPRIETARY AND CONFIDENTIAL
 THE INFORMATION CONTAINED IN THIS DRAWING IS THE SOLE PROPERTY OF STAR INDUSTRIES. ANY REPRODUCTION IN PART OR AS A WHOLE WITHOUT THE WRITTEN PERMISSION OF STAR INDUSTRIES IS PROHIBITED.

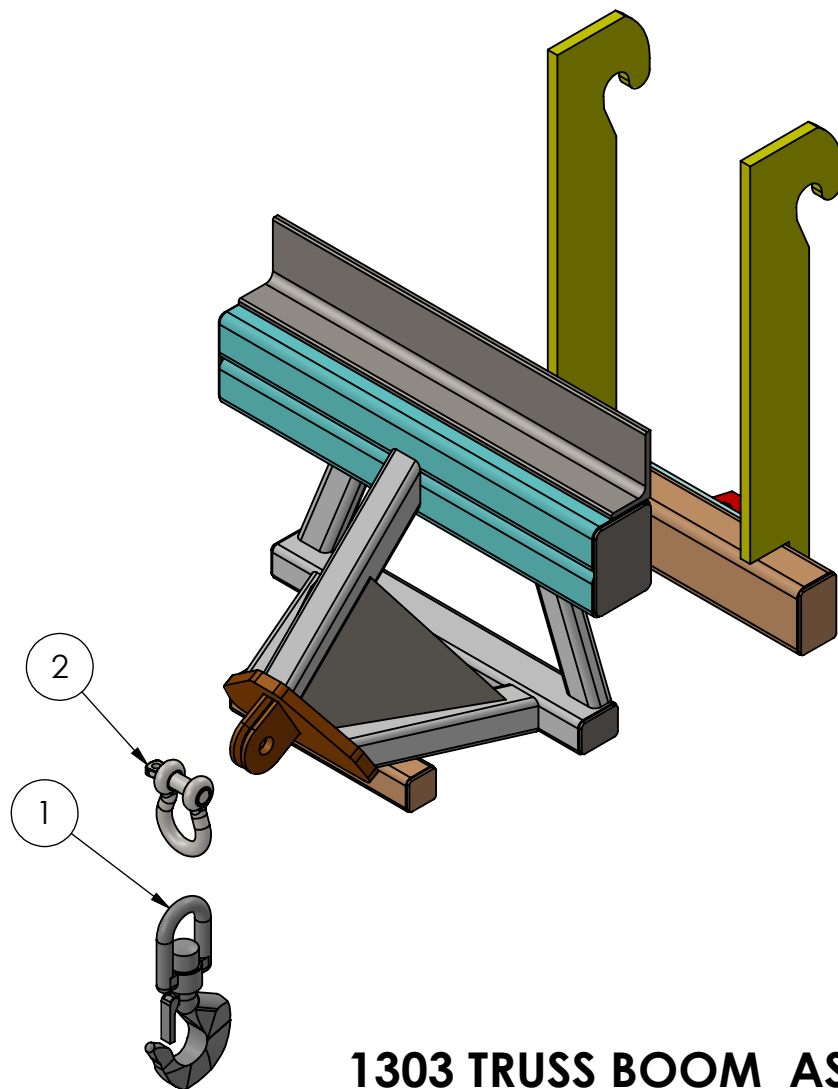
UNLESS OTHERWISE SPECIFIED:		NAME	DATE
DIMENSIONS ARE IN INCHES		DRAWN	HI-TECH 10/19/2019
TOLERANCES: $\pm 1/16$		CHECKED	
FRACTIONAL \pm		ENG APPR.	
ANGULAR: MACH \pm BEND \pm		MFG APPR.	
TWO PLACE DECIMAL \pm		Q.A.	
THREE PLACE DECIMAL \pm		COMMENTS:	
INTERPRET GEOMETRIC TOLERANCING PER:			
MATERIAL REFER PARTS DETAILS			
FINISH			
DO NOT SCALE DRAWING			



TITLE:
1303 TRUSS BOOM ASSEMBLY

SIZE A	DWG. NO. 1303-REPLACEABLE PARTS	REV 0
SCALE: 1:12	WEIGHT: 564.00 LBS	SHEET 1 OF 2

ITEM NO.	PART NUMBER	DESCRIPTION	MATERIAL	QTY
1	1000-0280	11 TON SWIVEL HOOK	REFER PARTS DETAILS	1
2	1000-0234	1 1/4"-12 Ton Bolted Shackle	Plain Carbon Steel	1



1303 TRUSS BOOM ASSEMBLY

SIZE A	DWG. NO. 1303-REPLACEABLE PARTS	REV 0
SCALE: NTS	WEIGHT: 564.00 LBS	SHEET 2 OF 2