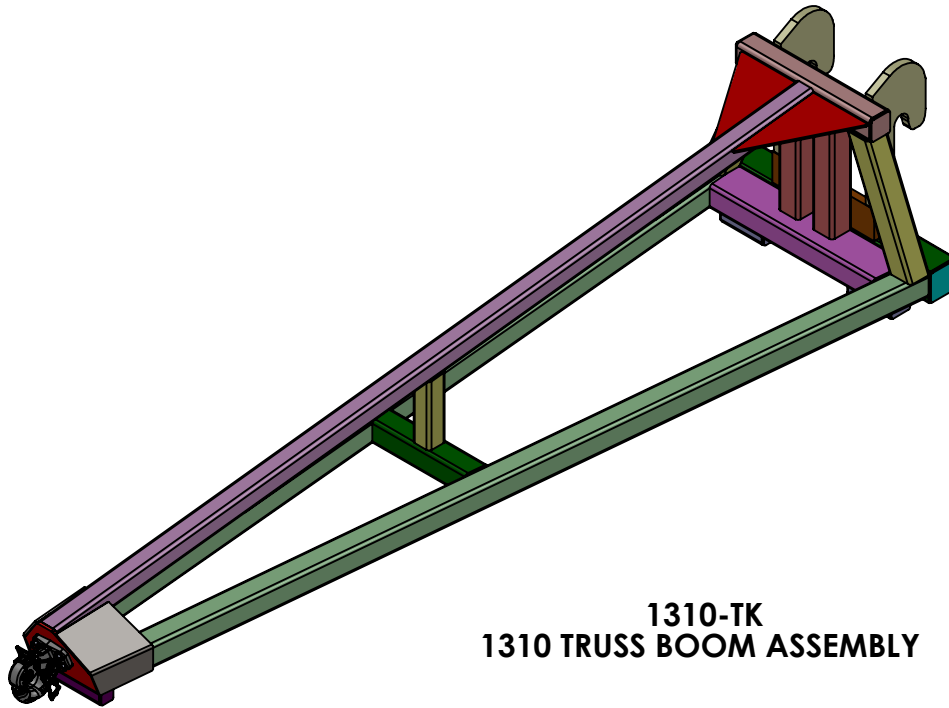


ITEM NO.	PART NUMBER	DESCRIPTION	MATERIAL	QTY
1	1310	1310 TRUSS BOOMS	REFER PARTS DETAILS	1
2	1400-21TK-ASSY	TK SERIES TRUSS BOOMS QUICK TACH ASSEMBLY	REFER PARTS DETAILS	1
3	PH6 PINTLE HITCH	PH6 PINTLE HITCH	REFER PARTS DETAILS	1
4	1000-0306A	HEX BOLT-1/2"-13-UNC-1.5LG-GR-8	STEEL	4
5	1000-0306B	HEX NUT 1/2"-13-UNC-GR-8	STEEL	4



**1310-TK
1310 TRUSS BOOM ASSEMBLY**

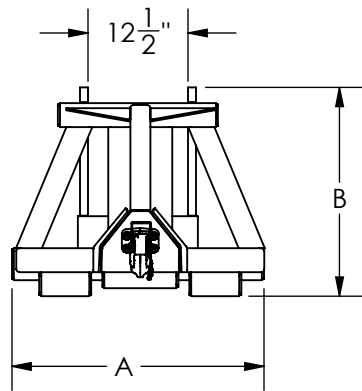
UNLESS OTHERWISE SPECIFIED:	NAME	DATE
DIMENSIONS ARE IN INCHES TOLERANCES: $\pm 1/16$	DRAWN	HITECH 04-09-2019
FRACTIONAL \pm	CHECKED	
ANGULAR: MACH \pm BEND \pm	ENG APPR.	
TWO PLACE DECIMAL \pm	MFG APPR.	
THREE PLACE DECIMAL \pm	Q.A.	
INTERPRET GEOMETRIC TOLERANCING PER:	COMMENTS:	
MATERIAL REFER PARTS DETAILS		
FINISH		
DO NOT SCALE DRAWING		



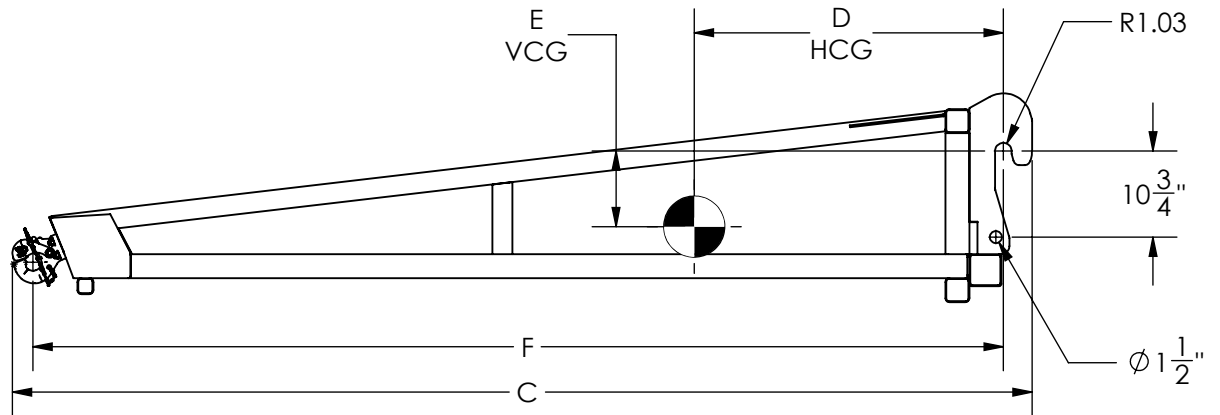
TITLE:
1310 TRUSS BOOM ASSEMBLY

SIZE A	DWG. NO. 1310-TK-DLR	REV 0
SCALE: 1:20	WEIGHT: 486.20 LBS	SHEET 1 OF 2

PROPRIETARY AND CONFIDENTIAL
THE INFORMATION CONTAINED IN THIS DRAWING IS THE SOLE PROPERTY OF STAR INDUSTRIES. ANY REPRODUCTION IN PART OR AS A WHOLE WITHOUT THE WRITTEN PERMISSION OF STAR INDUSTRIES IS PROHIBITED.



**1310-TK
1310 TRUSS BOOM ASSEMBLY**



**1310-TK
1310 TRUSS BOOM ASSEMBLY**

MODEL NO.	A	B	C	D	E	F	RATED CAPACITY	EMPTY WEIGHT
1310-TK	31 1/2"	26 1/16"	127 7/16"	37 13/16"	9 5/8"	121 5/16"	2,000 lbs.	486.20

SIZE A	DWG. NO. 1310-TK-DLR	REV 0
SCALE: NTS	WEIGHT: 486.20 LBS	SHEET 2 OF 2