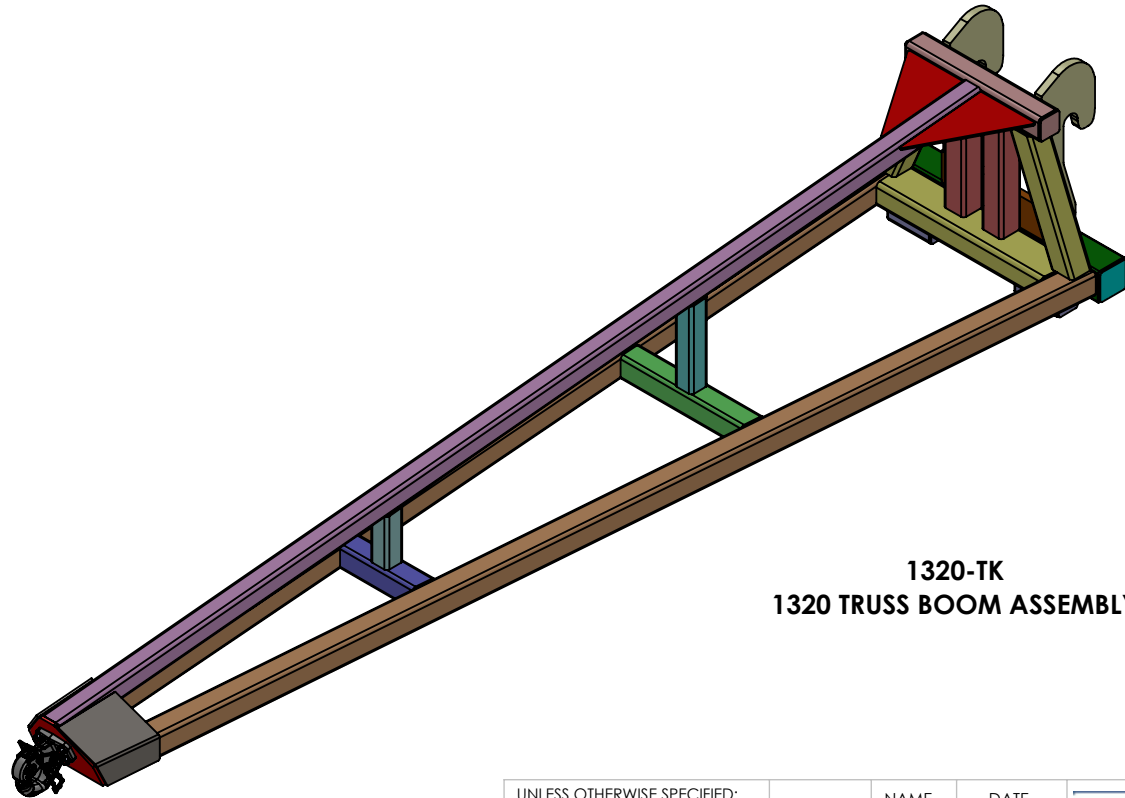


ITEM NO.	PART NUMBER	DESCRIPTION	MATERIAL	QTY
1	1320	1320 TRUSS BOOM		1
2	1400-21TK-ASSY	TK SERIES TRUSS BOOMS QUICK TACH ASSEMBLY	REFER PARTS DETAILS	1
3	PH6 PINTLE HITCH	PH6 PINTLE HITCH	REFER PARTS DETAILS	1
4	1000-0306A	HEX BOLT-1/2"-13-UNC-1.5LG-GR-8	STEEL	4
5	1000-0306B	HEX NUT 1/2"-13-UNC-GR-8	STEEL	4



**1320-TK  
1320 TRUSS BOOM ASSEMBLY**

UNLESS OTHERWISE SPECIFIED:		NAME	DATE
DIMENSIONS ARE IN INCHES TOLERANCES: $\pm 1/16$		DRAWN	HITECH 12-09-2019
FRACTIONAL $\pm$		CHECKED	
ANGULAR: MACH $\pm$ BEND $\pm$		ENG APPR.	
TWO PLACE DECIMAL $\pm$		MFG APPR.	
THREE PLACE DECIMAL $\pm$		Q.A.	
INTERPRET GEOMETRIC TOLERANCING PER:		COMMENTS:	
MATERIAL REFER PARTS DETAILS			
FINISH			
DO NOT SCALE DRAWING			

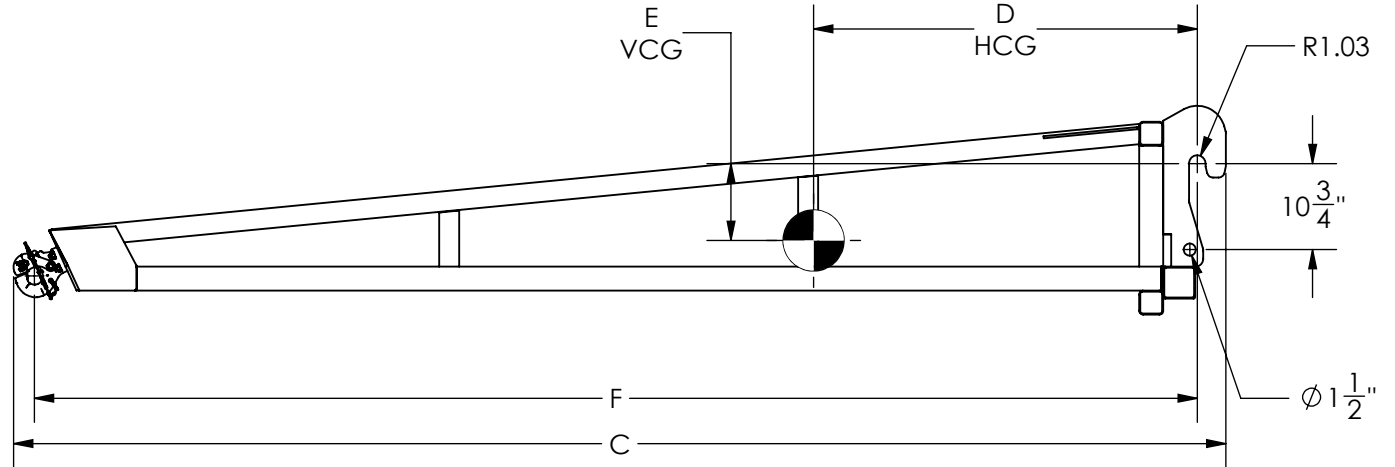
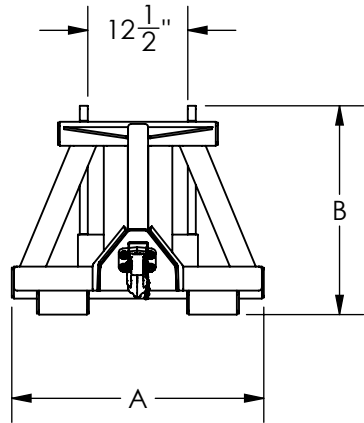


TITLE:  
**1320 TRUSS BOOM ASSEMBLY**

**PROPRIETARY AND CONFIDENTIAL**  
THE INFORMATION CONTAINED IN THIS DRAWING IS THE SOLE PROPERTY OF STAR INDUSTRIES. ANY REPRODUCTION IN PART OR AS A WHOLE WITHOUT THE WRITTEN PERMISSION OF STAR INDUSTRIES IS PROHIBITED.

SIZE <b>A</b>	DWG. NO. 1320-TK-DLR	REV <b>0</b>
SCALE: 1:20	WEIGHT: 544.82 LBS	SHEET 1 OF 2

**1320-TK  
1320 TRUSS BOOM ASSEMBLY**



MODEL NO.	A	B	C	D	E	F	RATED CAPACITY	EMPTY WEIGHT
1320-TK	31 1/2"	26 1/16"	151 9/16"	47 1/16"	9 3/4"	145 3/8"	2,000 lbs.	544.82

SIZE <b>A</b>	DWG. NO. 1320-TK-DLR	REV <b>0</b>
SCALE: NTS	WEIGHT: 544.82 LBS	SHEET 2 OF 2