

1330 TRUSS BOOM ASSEMBLY

PROPRIETARY AND CONFIDENTIAL
 THE INFORMATION CONTAINED IN THIS DRAWING IS THE SOLE PROPERTY OF STAR INDUSTRIES. ANY REPRODUCTION IN PART OR AS A WHOLE WITHOUT THE WRITTEN PERMISSION OF STAR INDUSTRIES IS PROHIBITED.

UNLESS OTHERWISE SPECIFIED:		NAME	DATE
DIMENSIONS ARE IN INCHES		DRAWN	HITECH 8/23/2019
TOLERANCES: $\pm 1/16$		CHECKED	
FRACTIONAL \pm		ENG APPR.	
ANGULAR: MACH \pm BEND \pm		MFG APPR.	
TWO PLACE DECIMAL \pm		Q.A.	
THREE PLACE DECIMAL \pm		COMMENTS:	
INTERPRET GEOMETRIC TOLERANCING PER:			
MATERIAL REFER PARTS DETAILS			
FINISH			
DO NOT SCALE DRAWING			



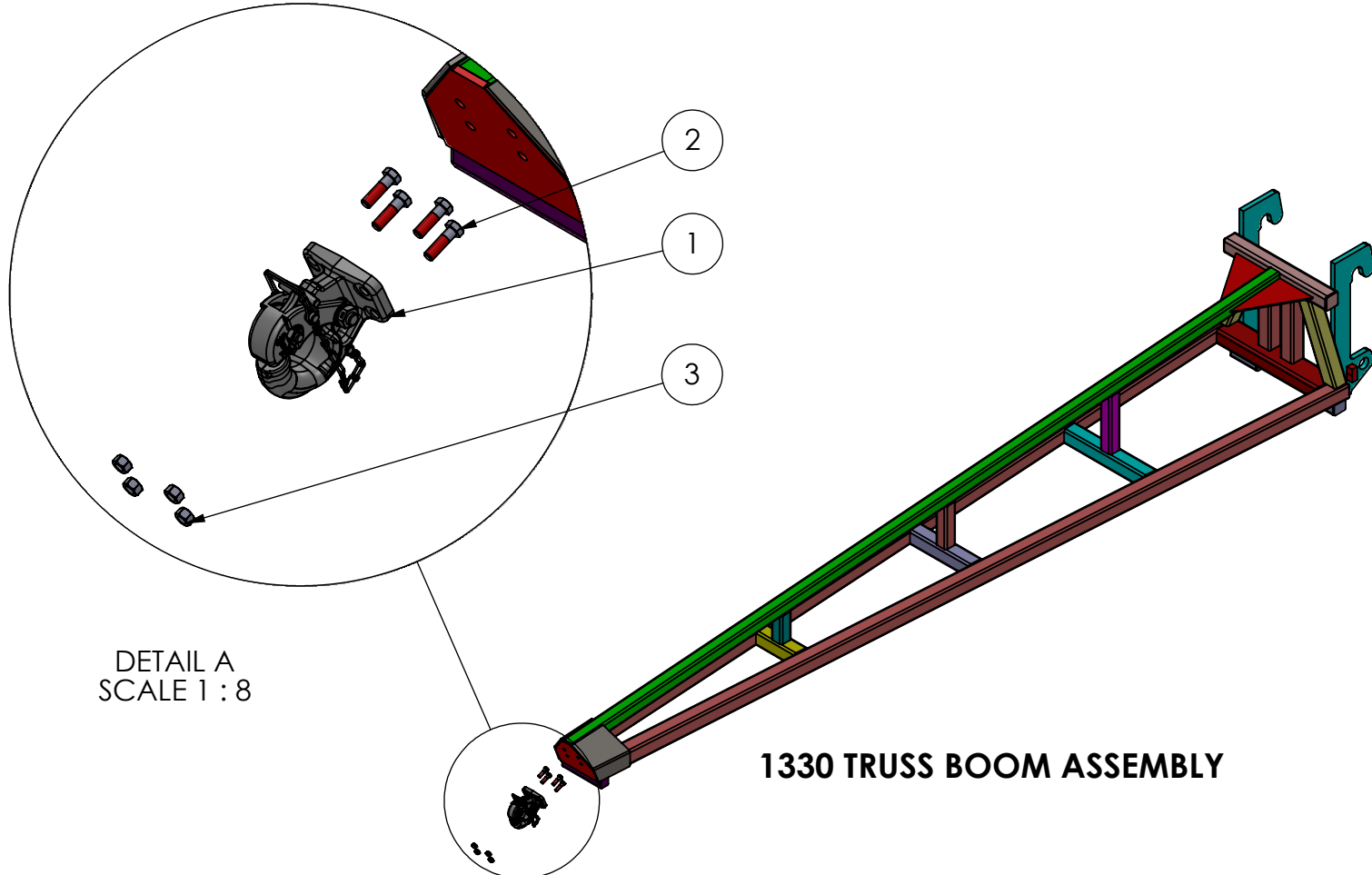
STAR INDUSTRIES

TITLE:

1330 TRUSS BOOM ASSEMBLY

SIZE A	DWG. NO. 1330-REPLACEABLE PARTS	REV 0
SCALE: 1:25	WEIGHT: 636.53 LBS	SHEET 1 OF 2

ITEM NO.	PART NUMBER	DESCRIPTION	MATERIAL	QTY
1	1000-0306	PH6 PINTLE HITCH	REFER PARTS DETAILS	1
2	1000-0306A	HEX BOLT-1/2"-13-UNC-1.5Lg-GR-8	STEEL	4
3	1000-0306B	HEX NUT 1/2"-13-UNC-GR-8	STEEL	4



DETAIL A
SCALE 1 : 8

1330 TRUSS BOOM ASSEMBLY

PROPRIETARY AND CONFIDENTIAL
THE INFORMATION CONTAINED IN THIS DRAWING IS THE SOLE PROPERTY OF STAR INDUSTRIES. ANY REPRODUCTION IN PART OR AS A WHOLE WITHOUT THE WRITTEN PERMISSION OF STAR INDUSTRIES IS PROHIBITED.

UNLESS OTHERWISE SPECIFIED:
DIMENSIONS ARE IN INCHES
TOLERANCES: $\pm 1/16$
FRACTIONAL \pm
ANGULAR: MACH \pm BEND \pm
TWO PLACE DECIMAL \pm
THREE PLACE DECIMAL \pm

INTERPRET GEOMETRIC TOLERANCING PER:
MATERIAL REFER PARTS DETAILS
FINISH

DO NOT SCALE DRAWING

	NAME	DATE
DRAWN	HITECH	8/23/2019
CHECKED		
ENG APPR.		
MFG APPR.		
Q.A.		
COMMENTS:		



TITLE: 1330 TRUSS BOOM ASSEMBLY		
SIZE A	DWG. NO. 1330-REPLACEABLE PARTS	REV 0
SCALE: 1:48	WEIGHT: 636.53 LBS	SHEET 2 OF 2